

Dimensions shown may be changed without prior notice

Dimensions shown may be changed without prior notice

ISOA

// Applications 应用

The ISOA Series bring to the industry a proven design for use on construction equipment, forestry equipment, agricultural machinery, oil tools, oil equipment steel mill machinery, and other demanding hydraulic applications.

ISOA接头广泛应用于各种工业所需的连接 主要用于建筑设备、森林设备、农业机械、液压机具、石油设备、钢铁设备、化学品、及其它所需的液压应用。

// Features 特征

New valve design, it can resistance damage from high flow and the pressure of impulse that providing advanced performance.

- Poppet valves available to prevent uncoupled leakage.
- Poppet valves open automatically when coupled, within rated working pressure, to keep the flow expediently.
- Critical parts are hardened for durability.
- Dependable ball-locking mechanism holds the mating halves together.
- Socket and plug are precision machined from solid bar stock.
- New Chrome plating treatment provides advanced anti-rust performance.
- ISOA series conforms to the standard of ISO 7241-A.
- Compatible with PARKER 6600 Series, FASTERANV Series, AEROQUIP 5600 Series and HANSEN HA15000 Series.

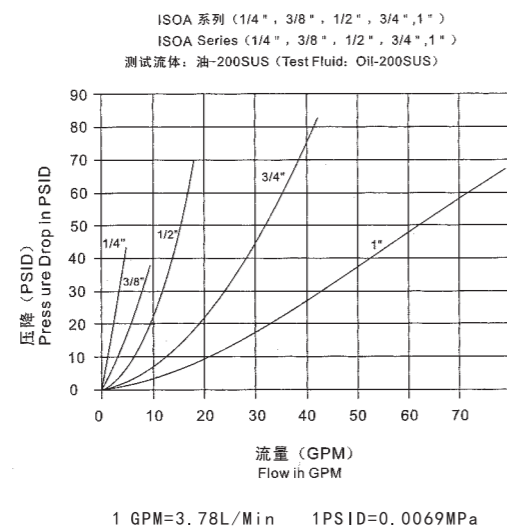
新型阀的设计, 能抵抗高速流体与脉冲压力的冲击, 提供更高的性能。

- 接头断开时, 阀芯自动闭合, 防止泄漏。
- 接头连接后, 阀自动开启, 在额定工作范围内, 始终保持流体的畅通。
- 关键部件经过感应淬火, 所以耐用性好
- 可靠的球锁机构将相匹配的两半部分结合在一起
- 母插座和公插头采用实心的棒料精密制造
- 本接头符合ISO7241-A标准
- 并与下列产品互换: 美国派克(PARKER)6600系列、意大利快事达(FASTER)ANV系列、美国爱力克(AEROQUIP)5600系列、美国汉森(HANSEN)HA15000系列

// Specifications 技术规范

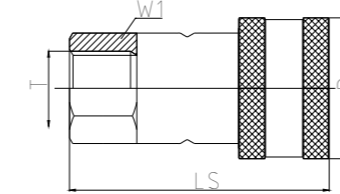
Body Size/规格(inch)	1/4	3/8	1/2	3/4	1
Rated Pressure/额定压力(Psi)	5000	4000	4000	3000	3000
Rated Flow/额定流量(GPM)	3	6	12	28	50
Temperature Range/温度范围	-20°C to +120°C				
Standard seal material/标准密封圈材料	NBR/丁腈橡胶				

// Performance 性能

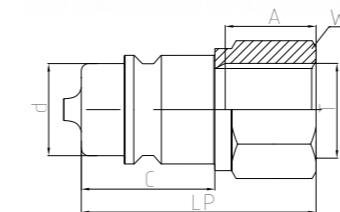


// Product 产品

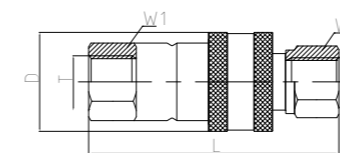
Socket 母插座



Plug 公插头



Coupling Fitting 连接器装配



ISO	Part No.	LS	D	W1	A	T	Unit Price(\$)
6.3	ISOA-02SF	50	Φ26	19	13	G1/4 NPT1/4	*
10	ISOA-03SF	57.1	Φ31.5	22	16	G3/8 NPT3/8	*
12.5	ISOA-04SF	66	Φ38.5	27	18	G1/2 NPT1/2	*
20	ISOA-06SF	82.5	Φ48	34	20.5	G3/4 NPT3/4	*
25	ISOA-08SF	100	Φ56	41	20.5	G1 NPT1	*

ISO	Part No.	LP	d	C	W2	A	T	Unit Price(\$)
6.3	ISOA-02PF	38.5	11.8	15	19	13	G1/4 NPT1/4	*
10	ISOA-03PF	39	17.3	19	22	16	G3/8 NPT3/8	*
12.5	ISOA-04PF	44	20.5	29	27	18	G1/2 NPT1/2	*
20	ISOA-06PF	55	29	29	34	20.5	G3/4 NPT3/4	*
25	ISOA-08PF	66	34.3	35	41	20.5	G1 NPT1	*

ISO	Part No.	L	D	W1	W2	T	Unit Price(\$)
6.3	ISOA-02	74.2	Φ26	19	19	G1/4 NPT1/4	*
10	ISOA-03	78.5	Φ31.5	22	22	G3/8 NPT3/8	*
12.5	ISOA-04	88.2	Φ38.5	27	27	G1/2 NPT1/2	*
20	ISOA-06	110.4	Φ48	34	34	G3/4 NPT3/4	*
25	ISOA-08	132.9	Φ56	41	41	G1 NPT1	*

Dimensions shown may be changed without prior notice

Dimensions shown may be changed without prior notice

S1

// Applications 应用

The S1 Series bring to the industry a proven design for use on construction equipment, forestry equipment, agricultural machinery, oil tools, oil equipment steel mill machinery, and other demanding hydraulic applications.

S1系列广泛应用于各种工业所需的连接，主要用于建筑设备、森林设备、农业机械、液压机具、石油设备、钢铁设备及其它所需的液压应用。

// Features 特征

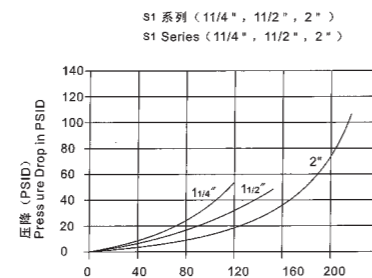
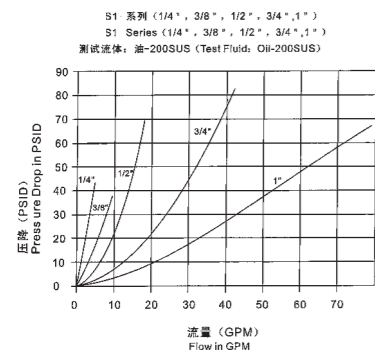
- Poppet valves available to prevent uncoupled leakage.
- Poppet valves open automatically when coupled, within rated working pressure, to keep the flow expediently.
- Critical parts are hardened for durability.
- Dependable ball-locking mechanism holds the mating halves together.
- Socket and plug are precision machined from solid barstock.
- S1 series conforms to the standard of ISO7241-A.
- Compatible with PARKER 6600 Series, FASTER ANV Series, AEROQUIP 5600 Series and HANSEN HA15000 Series.

- 接头断开时，阀芯自动闭合，防止泄漏。
- 接头连接后，阀自动开启，在额定工作范围内，始终保持流体的畅通。
- 关键部件经过感应淬火，所以耐用性好。
- 可靠的球锁机构将相匹配的两半部分结合在一起。
- 母插座和公插头采用实心的棒料精密制造。
- 本接头符合ISO7241-A标准。
- 并与下列产品互换：美国派克(PARKER)6600系列、意大利快事达(FASTER)ANV系列、美国爱力克(AEROQUIP)5600系列、美国汉森(HANSEN)HA15000系列。

// Specifications 技术规范

Body Size/规格(inch)	1/4	3/8	1/2	3/4	1	1-1/4	1-1/2	2
Rated Pressure/额定压力(Psi)	5000	4000	4000	3000	3000	3000	2000	2000
Rated Flow/额定流量(GPM)	3	6	12	28	50	88	220	240
Temperature Range/温度范围	-20°C to +120°C							
Standard seal material/标准密封圈材料	NBR/丁腈橡胶							

// Performance 性能

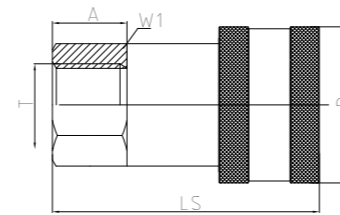


1 GPM=3.78L/Min 1PSID=0.0069MPa

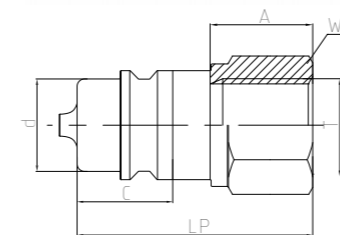


// Product 产品

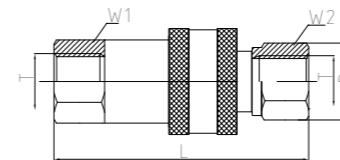
Socket 母插座



Plug 公插头



Coupling Fitting 连接器装配



ISO	Part No.	LS	D	W1	A	T	Unit Price(\$)
6.3	S1-02SF	50	Φ26	19	13	G1/4 NPT1/4	*
10	S1-03SF	56	Φ31.5	22	14	G3/8 NPT3/8	*
12.5	S1-04SF	66	Φ38.5	27	16	G1/2 NPT1/2	*
20	S1-06SF	80	Φ48	34	18	G3/4 NPT3/4	*
25	S1-08SF	94	Φ56	41	21	G1 NPT1	*
31.5	S1-10SF	117	Φ69.5	50	25	G1-1/4 NPT1-1/4	*
40	S1-12SF	133	Φ84	60	27	G1-1/2 NPT1-1/2	*
50	S1-16SF	165	Φ99	75	26	G2 NPT2	*

ISO	Part No.	LP	d	C	W2	A	T	Unit Price(\$)
6.3	S1-02PF	35.5	11.8	15	19	13	G1/4 NPT1/4	*
10	S1-03PF	36.5	17.3	21.4	22	14	G3/8 NPT3/8	*
12.5	S1-04PF	43.5	20.5	27	27	16	G1/2 NPT1/2	*
20	S1-06PF	57	29	28	35	18.0	G3/4 NPT3/4	*
25	S1-08PF	59.5	34.3	36	41	21.0	G1 NPT1	*
31.5	S1-10PF	75	45	46	50	25	G1-1/4 NPT1-1/4	*
40	S1-12PF	83.5	55	52	60	27	G1-1/2 NPT1-1/2	*
50	S1-16PF	105	65	64	75	26	G2 NPT2	*

ISO	Part No.	L	D	W1	W2	T	Unit Price(\$)
6.3	S1-02	71	φ26	19	19	G1/4 NPT1/4	*
10	S1-03	75	φ31.5	22	22	G3/8 NPT3/8	*
12.5	S1-04	88	φ38.5	27	27	G1/2 NPT1/2	*
20	S1-06	110	φ48	34	35	G3/4 NPT3/4	*
25	S1-08	119.5	φ56	41	41	G1 NPT1	*
31.5	S1-10	150	φ69.5	50	50	G1-1/4 NPT1-1/4	*
40	S1-12	167.5	φ84	60	60	G1-1/2 NPT1-1/2	*
50	S1-16	210.5	φ99	75	75	G2 NPT2	*

Dimensions shown may be changed without prior notice

Dimensions shown may be changed without prior notice

KSA

// Applications 应用

The KSA Series bring to the industry a proven design for use on construction equipment, forestry equipment, agricultural machinery, oil tools, oil equipment steel mill machinery, and other demanding hydraulic applications.

KSA接头广泛应用于各种工业所需的连接 主要用于建筑设备、森林设备、农业机械、液压机具、石油设备、钢铁设备、化学品、及其它所需的液压应用。

// Features 特征

New valve design, it can resistance damage from high flow and the pressure of impulse that providing advanced performance.

- Poppet valves available to prevent uncoupled leakage.
- Poppet valves open automatically when coupled, within rated working pressure, to keep the flow expediently.
- Critical parts are hardened for durability.
- Dependable ball-locking mechanism holds the mating halves together.
- Socket and plug are precision machined from solid bar stock.
- New Chrome plating treatment provides advanced anti-rust performance.
- ISOA series conforms to the standard of ISO 7241-A.
- Compatible with PARKER 6600 Series, FASTERANV Series, AEROQUIP 5600 Series and HANSEN HA15000 Series.

新型阀的设计, 能抵抗高速流体与脉冲压力的冲击, 提供更高的性能。

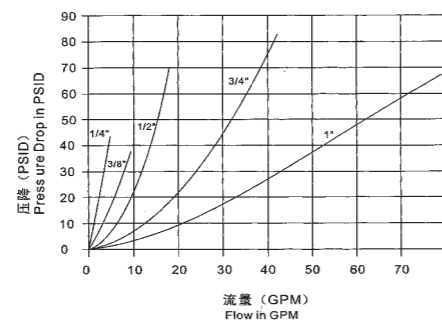
- 接头断开时, 阀芯自动闭合, 防止泄漏。
- 接头连接后, 阀自动开启, 在额定工作范围内, 始终保持流体的畅通。
- 关键部件经过感应淬火, 所以耐用性好
- 可靠的球锁机构将相匹配的两半部分结合在一起
- 母插座和公插头采用实心的棒料精密制造
- 本接头符合ISO7241-A标准
- 并与下列产品互换: 美国派克(PARKER)6600系列、意大利快事达(FASTER)ANV系列、美国爱力克(AEROQUIP)5600系列、美国汉森(HANSEN)HA15000系列

// Specifications 技术规范

Body Size/规格(inch)	1/4	3/8	1/2	3/4	1
Rated Pressure/额定压力(Psi)	5000	4000	4000	3000	3000
Rated Flow/额定流量(GPM)	3	6	12	28	50
Temperature Range/温度范围	-20°C to +120°C				
Standard seal material/标准密封圈材料	NBR/丁腈橡胶				

// Performance 性能

ISOA 系列 (1/4", 3/8", 1/2", 3/4", 1")
ISOA Series (1/4", 3/8", 1/2", 3/4", 1")
测试液体: 油-200SUS (Test Fluid: Oil-200SUS)

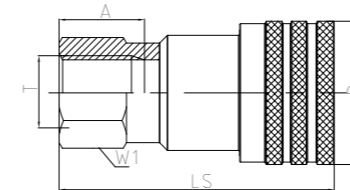


1 GPM=3.78L/Min 1PSID=0.0069MPa

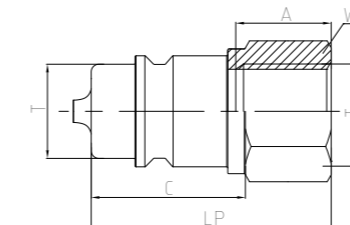


// Product 产品

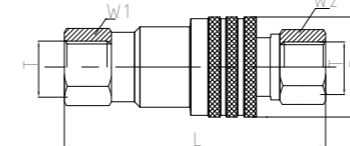
Socket 母插座



Plug 公插座



Coupling Fitting 连接器装配



ISO	Part No.	LS	D	W1	A	T	Unit Price(\$)
6.3	KSA-02SF	50	φ26	19	13	G1/4 NPT1/4	*
10	KSA-03SF	60.5	φ30	22	16	G3/8 NPT3/8	*
12.5	KSA-04SF	70	φ38	27	18	G1/2 NPT1/2	*
20	KSA-06SF	84.5	φ45	34	22.0	G3/4 NPT3/4	*
25	KSA-08SF	99	φ52	41	22.0	G1 NPT1	*

ISO	Part No.	LP	D	C	W2	A	T	Unit Price(\$)
6.3	KSA-02PF	35	11.8	15.2	19	13	G1/4 NPT1/4	*
10	KSA-03PF	42.5	17.3	21.4	22	16	G3/8 NPT3/8	*
12.5	KSA-04PF	48	20.5	29	27	18	G1/2 NPT1/2	*
20	KSA-06PF	57	29	28	34	20.5	G3/4 NPT3/4	*
25	KSA-08PF	65.5	34.3	35.5	41	20.5	G1 NPT1	*

ISO	Part No.	L	D	W1	W2	T	Unit Price(\$)
6.3	KSA-02	70	φ26	19	19	G1/4 NPT1/4	*
10	KSA-03	85	φ30	22	22	G3/8 NPT3/8	*
12.5	KSA-04	96	φ38	27	27	G1/2 NPT1/2	*
20	KSA-06	114	φ45	34	34	G3/4 NPT3/4	*
25	KSA-08	131	φ52	41	41	G1 NPT1	*

Dimensions shown may be changed without prior notice

Dimensions shown may be changed without prior notice

S6

// Applications 应用

The S6 Series brings to the industry a proven design for use on construction equipment, forestry equipment, agricultural machinery, oil tools, steel mill machinery, and other demanding hydraulic applications.

S6系列广泛应用于工业用途，用于建筑设备、森林设备、农业机械、液压机具、钢铁设备及其它所需的液压应用

// Features 特征

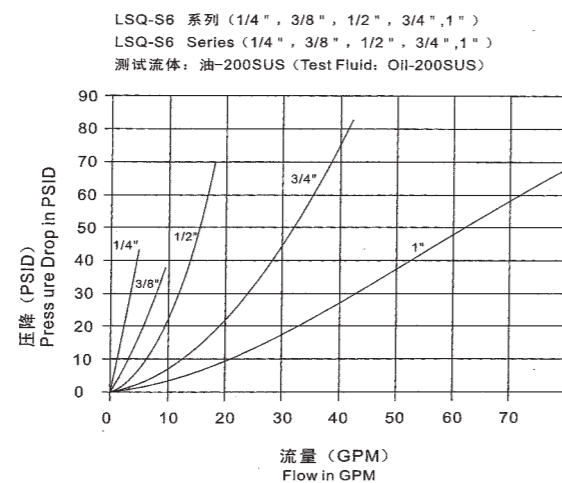
- Poppet valves available to prevent uncoupled leakage.
- Poppet valves open automatically when coupled, within rated working pressure, to keep the flow expediently.
- Critical parts are hardened for durability.
- Dependable ball-locking mechanism holds the mating halves together.
- Socket and plug are precision machined from solid barstock.
- S1 series conforms to the standard of ISO7241-A.
- Compatible with PARKER 6600 Series, FASTER ANV Series, AEROQUIP 5600 Series and HANSEN HA15000 Series.

- 接头断开时，阀芯自动闭合，防止泄漏。
- 接头连接后，阀芯自动开启，在额定工作范围内，始终保持流体的畅通。
- 关键部件经过感应淬火，所以耐用性好。
- 可靠的球锁机构将相匹配的两半部分结合在一起。
- 母插座和公插头采用实心的棒料精密制造。
- 本接头符合ISO7241-A标准。
- 并与下列产品互换：美国派克(PARKER)6600系列、意大利快事达(FASTER)ANV系列、美国爱力克(AEROQUIP)5600系列、美国汉森(HANSEN)HA15000系列。

// Specifications 技术规范

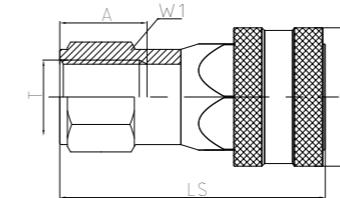
Body Size/规格(inch)	1/4	3/8	1/2	3/4	1
Rated Pressure/额定压力(Psi)	5000	4000	4000	3000	3000
Rated Flow/额定流量(GPM)	3	6	12	28	50
Temperature Range/温度范围	-20°C to +120°C				
Standard seal material/标准密封圈材料	NBR/丁腈橡胶				

// Performance 性能

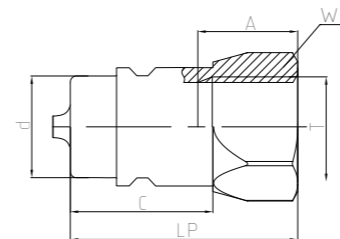


// Product 产品

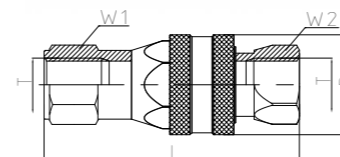
Socket 母插座



Plug 公插头



Coupling Fitting 连接器装配



ISO	Part No.	LS	D	W1	A	T	Unit Price(\$)
6.3	S6-02SF	50	φ26	19	13	G1/4 NPT1/4	*
10	S6-03SF	56	φ31.5	24	14	G3/8 NPT3/8	*
12.5	S6-04SF	66	φ38.6	30	16	G1/2 NPT1/2	*
20	S6-06SF	82	φ46.5	38	20.0	G3/4 NPT3/4	*
25	S6-08SF	96.5	φ56	45	22.0	G1 NPT1	*

ISO	Part No.	LP	D	C	W2	A	T	Unit Price(\$)
6.3	S6-02PF	35.5	11.8	15.2	19	13	G1/4 NPT1/4	*
10	S6-03PF	36.5	17.3	21.4	22	14	G3/8 NPT3/8	*
12.5	S6-04PF	46	20.5	29	27	16	G1/2 NPT1/2	*
20	S6-06PF	54.5	29	28	34	20	G3/4 NPT3/4	*
25	S6-08PF	62	34.3	35.5	41	22	G1 NPT1	*

ISO	Part No.	L	D	W1	W2	T	Unit Price(\$)
6.3	S6-02	71	φ26	19	19	G1/4 NPT1/4	*
10	S6-03	75	φ31.5	24	22	G3/8 NPT3/8	*
12.5	S6-04	90.5	φ38.6	30	27	G1/2 NPT1/2	*
20	S6-06	109.5	φ46.5	38	34	G3/4 NPT3/4	*
25	S6-08	122	φ56	45	41	G1 NPT1	*

Dimensions shown may be changed without prior notice

Dimensions shown may be changed without prior notice

S2

// Applications 应用

S2 couplings, are used across the spectrum of hydraulic applications. These Double Shut-Off couplings can be found anywhere that fluid transfer lines need to be connected and disconnected for operation or maintenance of equipment, and a loss of fluid is undesirable. DD-S2 are used in construction equipment, Forestry equipment, agricultural machinery, oil tools, Oil equipment, steel mill machinery, and other demanding hydraulic applications.

S2接头用于各种范围的液压应用。这类双截止接头能适用以下情况：流体输送管路因设备操作或维护而需要连接及断开，而且不希望出现流体损耗。S2接头广泛应用于各种工业所需的连接，主要用于建筑设备、森林设备、农业机械、液压机具、石油设备、钢铁设备、化学品、及其它所需的液压应用。

// Features 特征

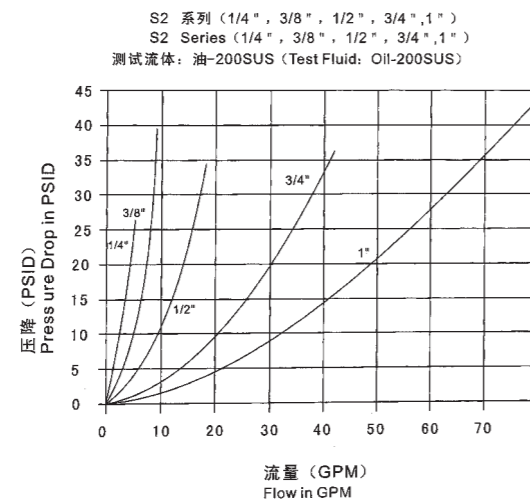
- Poppet valves available to prevent uncoupled leakage.
- Poppet valves open automatically when coupled, within rated working pressure, to keep the flow expediently.
- Critical parts are hardened for durability.
- Dependable ball-locking mechanism holds the mating halves together.
- Socket and plug are precision machined from solid barstock.
- S1 series conforms to the standard of ISO7241-B.
- Compatible with PARKER 60 Series, FASTER HNV Series, AEROQUIP FD45 Series and HANSEN HK Series.

- 接头断开时，阀芯自动闭合，防止泄漏。
- 接头连接后，阀自动开启，在额定工作范围内，始终保持流体的畅通。
- 关键部件经过感应淬火，所以耐用性好。
- 可靠的球锁机构将相匹配的两半部分结合在一起。
- 母插座和公插头采用实心的棒料精密制造。
- 本接头符合ISO7241-B标准。
- 并与下列产品互换：美国派克(PARKER)60系列、意大利快事达(FASTER)HNV系列、美国爱力克(AEROQUIP)FD45系列、美国汉森(HANSEN)HK系列。

// Specifications 技术规范

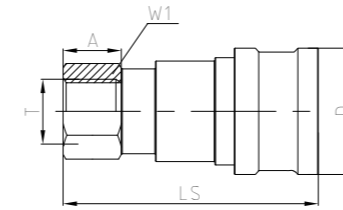
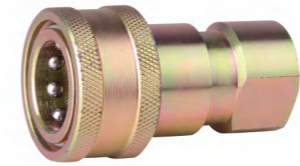
Body Size/规格(inch)	1/8	1/4	3/8	1/2	3/4	1
Rated Pressure/额定压力(Psi)	5000	5000	4000	4000	3000	3000
Rated Flow/额定流量(GPM)	1	3	6	12	28	50
Temperature Range/温度范围	-20°C to +120°C					
Standard seal material/标准密封圈材料	NBR/丁腈橡胶					

// Performance 性能

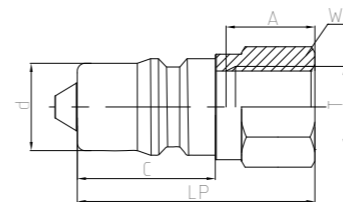
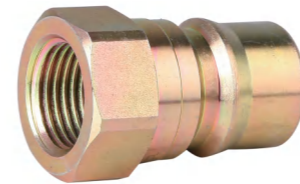


// Product 产品

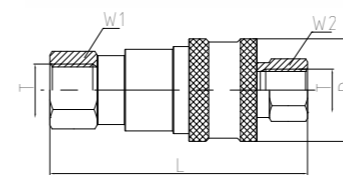
Socket 母插座



Plug 公插头



Coupling Fitting 连接器装配



ISO	Part No.	LS	D	W1	A	T	Unit Price(\$)
5	S2-01SF	48	φ24	17	9.5	G1/8 NPT1/8	*
6.3	S2-02SF	58	φ28.5	19	13	G1/4 NPT1/4	*
10	S2-03SF	65	φ35	24	13	G3/8 NPT3/8	*
12.5	S2-04SF	74	φ44.5	28.5	20.5	G1/2 NPT1/2	*
20	S2-06SF	92	φ54	36	22	G3/4 NPT3/4	*
25	S2-08SF	103	φ63.5	41	23	G1 NPT1	*

ISO	Part No.	LP	D	C	W2	A	T	Unit Price(\$)
5	S2-01PF	29	10.8	19	14	9.5	G1/8 NPT1/8	*
6.3	S2-02PF	36	14.2	22.8	19	13	G1/4 NPT1/4	*
10	S2-03PF	40	19	25	24	13	G3/8 NPT3/8	*
12.5	S2-04PF	46.5	23.5	28	28.5	20.5	G1/2 NPT1/2	*
20	S2-06PF	56	31.5	36	36	22	G3/4 NPT3/4	*
25	S2-08PF	63	37.8	45	41	23	G1 NPT1	*

ISO	Part No.	L	D	W1	W2	T	Unit Price(\$)
5	S2-01	58.5	φ24	17	14	G1/8 NPT1/8	*
6.3	S2-02	72	φ28.5	19	19	G1/4 NPT1/4	*
10	S2-03	80.5	φ35	24	24	G3/8 NPT3/8	*
12.5	S2-04	94	φ44.5	28.5	28.5	G1/2 NPT1/2	*
20	S2-06	112.5	φ54	36	36	G3/4 NPT3/4	*
25	S2-08	126.5	φ63.5	41	41	G1 NPT1	*

Dimensions shown may be changed without prior notice

Dimensions shown may be changed without prior notice

KZD

// Applications 应用

KZD couplings are used across the spectrum of hydraulic applications. These Double Shut-Off couplings can be found anywhere that fluid transfer lines need to be connected and disconnected for operation or maintenance of equipment, and a loss of fluid is undesirable. DD-S2 are used in construction equipment, Forestry equipment, agricultural machinery, oil tools, Oil equipment, steel mill machinery, and other demanding hydraulic applications.

KZD接头使用于各种范围的液压应用。这类双截止接头能适用以下情况：流体输送管路因设备操作或维护而需要连接及断开，而且不希望出现流体损耗。KZD接头广泛应用于各种工业所需的连接，主要用于建筑设备、森林设备、农业机械、液压机具、石油设备、钢铁设备、化学品、及其它所需的液压应用。

// Features 特征

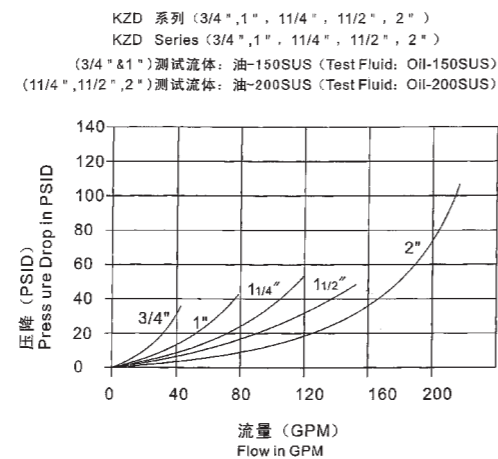
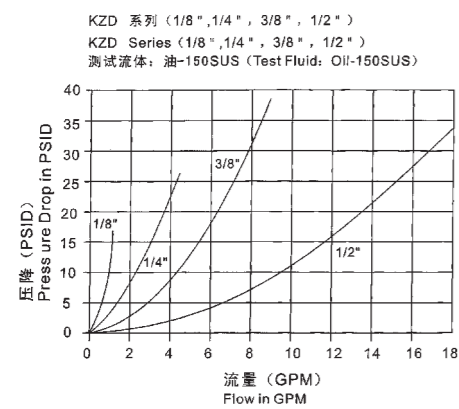
- Poppet valves available to prevent uncoupled leakage.
- Poppet valves open automatically when coupled, within rated working pressure, to keep the flow expediently.
- Critical parts are hardened for durability.
- Dependable ball-locking mechanism holds the mating halves together.
- Socket and plug are precision machined from solid barstock.
- KZD series conforms to the standard of ISO7241-B.
- Compatible with PARKER 60 Series, FASTER HNV Series, AEROQUIP FD45 Series and HANSEN HK Series.

- 接头断开时，阀芯自动闭合，防止泄漏。
- 接头连接后，阀芯自动开启，在额定工作范围内，始终保持流体的畅通。
- 关键部件经过感应淬火，所以耐用性好。
- 可靠的球锁机构将相匹配的两半部分结合在一起。
- 母插座和公插头采用实心的棒料精密制造。
- 本接头符合ISO7241-B标准。
- 并与下列产品互换：美国派克(PARKER)60系列、意大利快事达(FASTER)HNV系列、美国爱力克(AEROQUIP)FD45系列、美国汉森(HANSEN)HK系列。

// Specifications 技术规范

Body Size/规格(inch)	1/8	1/4	3/8	1/2	3/4	1	1-1/4	1-1/2	2
Rated Pressure/额定压力(Psi)	1000	1000	1000	1000	1000	1000	800	800	800
Rated Flow/额定流量(GPM)	1	3	6	12	28	50	75	100	150
Temperature Range/温度范围	-20°C to +120°C								
Standard seal material/标准密封圈材料	NBR/丁腈橡胶								

// Performance 性能

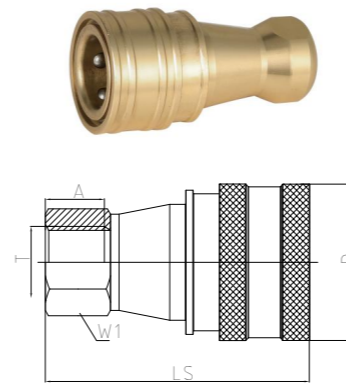


1 GPM=3.78L/Min 1PSID=0.0069MPa

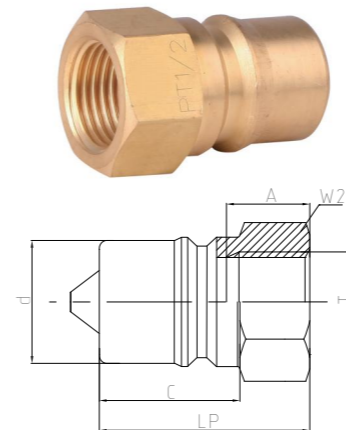


// Product 产品

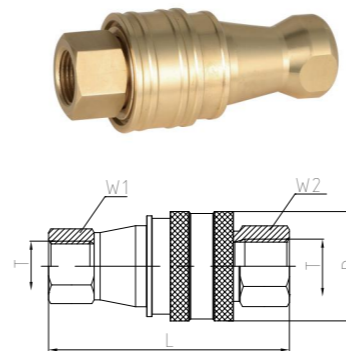
Socket 母插座



Plug 公插头



Coupling Fitting 连接器装配



ISO	Part No.	LS	D	W1	A	T	Unit Price(\$)
5	KZD-01SF	48	24	14	8	ZG1/8	*
6.3	KZD-02SF	58	27	19	12.5	ZG1/4	*
10	KZD-03SF	65	35	22	13	ZG3/8	*
12.5	KZD-04SF	72.5	45	29	14	ZG1/2	*
20	KZD-06SF	88	54	36	17	ZG3/4	*
25	KZD-08SF	102	64.5	41	23	ZG1	*
31.5	KZD-10SF	115	69	54	27	ZG1-1/4	*
40	KZD-12SF	124	79	60	27	ZG1-1/2	*
50	KZD-16SF	132	102	77	30	ZG2	*

NOTE: Only size 01 to 08 conform to the standard of ISO 7241-B.
注：只有01-08尺寸是符合ISO7241-B标准。

ISO	Part No.	LP	D	C	W2	A	T	Unit Price(\$)
5	KZD-01PF	29	10.8	19	14	8	ZG1/8	*
6.3	KZD-02PF	36	14.2	22.5	17	12.5	ZG1/4	*
10	KZD-03PF	40	19	25	22	13	ZG3/8	*
12.5	KZD-04PF	44	23.5	28	27	14	ZG1/2	*
20	KZD-06PF	52	31.4	36	36	17	ZG3/4	*
25	KZD-08PF	62	37.8	40	41	23	ZG1	*
31.5	KZD-10PF	70	45	45	52	27	ZG1-1/4	*
40	KZD-12PF	75	50	49	60	27	ZG1-1/2	*
50	KZD-16PF	80	70	52	77	30	ZG2	*

NOTE: Only size 01 to 08 conform to the standard of ISO 7241-B.
注：只有01-08尺寸是符合ISO7241-B标准。

ISO	Part No.	L	D	W1	W2	T	Unit Price(\$)
5	KZD-01	58.5	24	14	14	ZG1/8	*
6.3	KZD-02	72.5	28	19	17	ZG1/4	*
10	KZD-03	80.5	35	22	22	ZG3/8	*
12.5	KZD-04	89	45	29	27	ZG1/2	*
20	KZD-06	105	54	36	36	ZG3/4	*
25	KZD-08	124.5	64.5	41	41	ZG1	*
31.5	KZD-10	140.5	69	54	52	ZG1-1/4	*
40	KZD-12	150.5	79	60	60	ZG1-1/2	*
50	KZD-16	160.5	102	77	77	ZG2	*

NOTE: Only size 01 to 08 conform to the standard of ISO 7241-B.
注：只有01-08尺寸是符合ISO7241-B标准。

Dimensions shown may be changed without prior notice

Dimensions shown may be changed without prior notice

KZF

// Applications 应用

S2 couplings, are used across the spectrum of hydraulic applications. These Double Shut-Off couplings can be found anywhere that fluid transfer lines need to be connected and disconnected for operation or maintenance of equipment, and a loss of fluid is undesirable. DD-S2 are used in construction equipment, Forestry equipment, agricultural machinery, oil tools, Oil equipment, steel mill machinery, and other demanding hydraulic applications.

S2接头用于各种范围的液压应用。这类双截止接头能适用以下情况：流体输送管路因设备操作或维护而需要连接及断开，而且不希望出现流体损耗。S2接头广泛应用于各种工业所需的连接，主要用于建筑设备、森林设备、农业机械、液压机具、石油设备、钢铁设备、化学品、及其它所需的液压应用。

// Features 特征

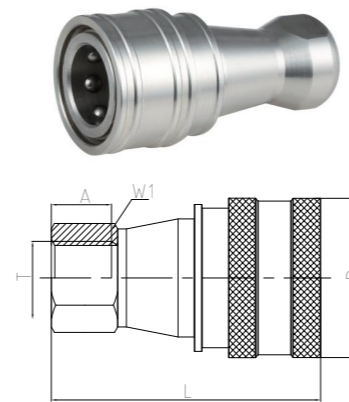
- Poppet valves available to prevent uncoupled leakage.
- Poppet valves open automatically when coupled, within rated working pressure, to keep the flow expediently.
- Critical parts are hardened for durability.
- Dependable ball-locking mechanism holds the mating halves together.
- Socket and plug are precision machined from solid barstock.
- S1 series conforms to the standard of ISO7241-B.
- Compatible with PARKER 60 Series, FASTER HNV Series, AEROQUIP FD45 Series and HANSEN HK Series.

- 接头断开时，阀芯自动闭合，防止泄漏。
- 接头连接后，阀自动开启，在额定工作范围内，始终保持流体的畅通。
- 关键部件经过感应淬火，所以耐用性好。
- 可靠的球锁机构将相匹配的两半部分结合在一起。
- 母插座和公插头采用实心的棒料精密制造。
- 本接头符合ISO7241-B标准。
- 并与下列产品互换：美国派克(PARKER)60系列、意大利快事达(FASTER)HNV系列、美国爱力克(AEROQUIP)FD45系列、美国汉森(HANSEN)HK系列。

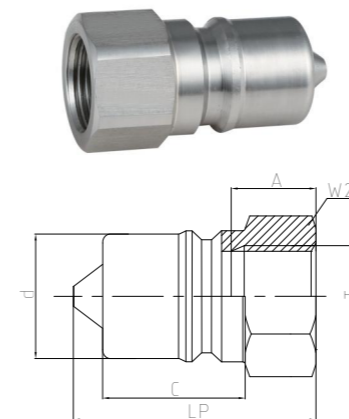


// Product 产品

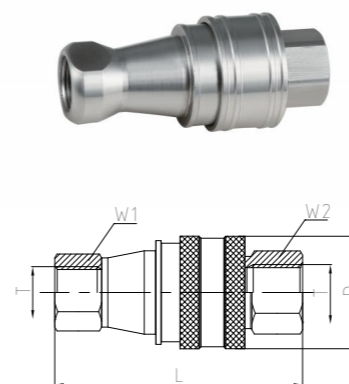
Socket 母插座



Plug 公插头



Coupling Fitting 连接器装配



ISO	Part No.	LS	D	W1	A	T	Unit Price(\$)
5	KZF-01SF	48	24	14	8	ZG1/8	*
6.3	KZF-02SF	58	27	19	12.5	ZG1/4	*
10	KZF-03SF	65	35	22	13	ZG3/8	*
12.5	KZF-04SF	72.5	45	29	14	ZG1/2	*
20	KZF-06SF	88	54	36	17	ZG3/4	*
25	KZF-08SF	102	64.5	41	23	ZG1	*
31.5	KZF-10SF	115	69	54	27	ZG1-1/4	*
40	KZF-12SF	124	79	60	27	ZG1-1/2	*
50	KZF-16SF	132	102	77	30	ZG2	*

NOTE: Only size 01 to 08 conform to the standard of ISO 7241-B.
注：只有01-08尺寸是符合ISO7241-B标准。

ISO	Part No.	LP	D	C	W2	A	T	Unit Price(\$)
5	KZF-01PF	29	10.8	19	14	8	ZG1/8	*
6.3	KZF-02PF	36	14.2	22.5	17	12.5	ZG1/4	*
10	KZF-03PF	40	19	25	22	13	ZG3/8	*
12.5	KZF-04PF	44	23.5	28	27	14	ZG1/2	*
20	KZF-06PF	52	31.4	36	36	17	ZG3/4	*
25	KZF-08PF	62	37.8	40	41	23	ZG1	*
31.5	KZF-10PF	70	45	45	52	27	ZG1-1/4	*
40	KZF-12PF	75	50	49	60	27	ZG1-1/2	*
50	KZF-16PF	80	70	52	77	30	ZG2	*

NOTE: Only size 01 to 08 conform to the standard of ISO 7241-B.
注：只有01-08尺寸是符合ISO7241-B标准。

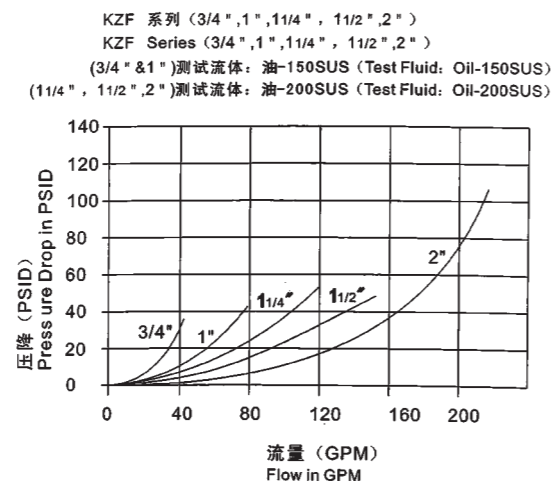
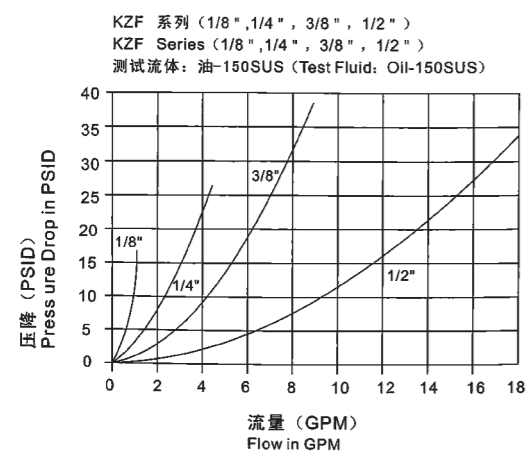
ISO	Part No.	L	D	W1	W2	T	Unit Price(\$)
5	KZF-01	58.5	24	14	14	ZG1/8	*
6.3	KZF-02	72.5	28	19	17	ZG1/4	*
10	KZF-03	80.5	35	22	22	ZG3/8	*
12.5	KZF-04	89	45	29	27	ZG1/2	*
20	KZF-06	105	54	36	36	ZG3/4	*
25	KZF-08	124.5	64.5	41	41	ZG1	*
31.5	KZF-10	140.5	69	54	52	ZG1-1/4	*
40	KZF-12	150.5	79	60	60	ZG1-1/2	*
50	KZF-16	160.5	102	77	77	ZG2	*

NOTE: Only size 01 to 08 conform to the standard of ISO 7241-B.
注：只有01-08尺寸是符合ISO7241-B标准。

// Specifications 技术规范

Body Size/规格(inch)	1/8	1/4	3/8	1/2	3/4	1	1-1/4	1-1/2	2
Rated Pressure/额定压力(Psi)	2000	2000	1500	1500	1500	1000	1000	1000	1000
Rated Flow/额定流量(GPM)	1	3	6	12	28	50	75	100	150
Temperature Range/温度范围	-20°C to +180°C								
Standard seal material/标准密封圈材料	VITON/氟橡胶								

// Performance 性能



1 GPM=3.78L/Min 1PSID=0.0069MPa

Dimensions shown may be changed without prior notice

Dimensions shown may be changed without prior notice

S4

// Applications 应用

The S4 Series brings to the industry a proven design for use on construction equipment, forestry equipment, agricultural machinery, oil tools, steel mill machinery, and other demanding hydraulic applications.

S4系列广泛应用于工业用途，用于建筑设备、森林设备、农业机械、液压机具、钢铁设备及其它所需的液压应用

// Features 特征

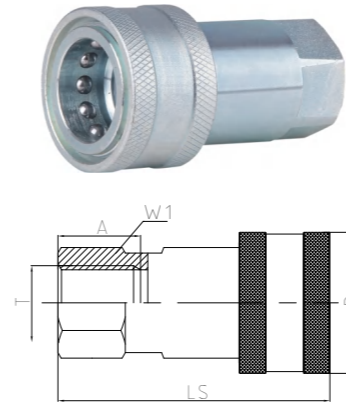
- Poppet valves available to prevent uncoupled leakage.
- Poppet valves open automatically when coupled, within rated working pressure, to keep the flow expediently.
- Critical parts are hardened for durability.
- Dependable ball-locking mechanism holds the mating halves together.
- Socket and plug are precision machined from solid barstock.
- S4 series conforms to the standard of ISO5675.
- Compatible with PARKER 4000 Series, FASTER NV/NS Series.

- 接头断开时，阀芯自动闭合，防止泄漏。
- 接头连接后，阀自动开启，在额定工作范围内，始终保持流体的畅通。
- 关键部件经过感应淬火，所以耐用性好。
- 可靠的球锁机构将相匹配的两半部分结合在一起。
- 母插座和公插头采用实心的棒料精密制造。
- 本接头符合ISO5675标准。
- 并与下列产品互换：美国派克(PARKER)4000系列、意大利快事达(FASTER)NV/NS系列。

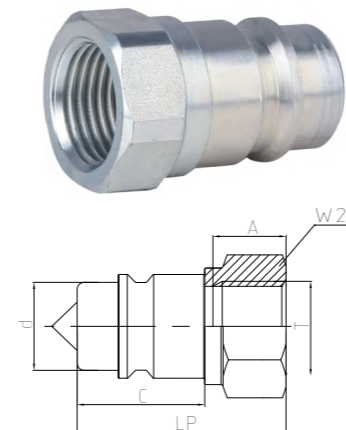


// Product 产品

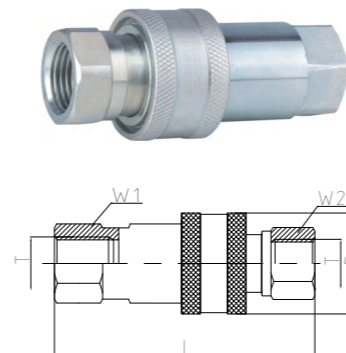
Socket 母插座



Plug 公插头



Coupling Fitting 连接器装配



ISO	Part No.	LS	D	W1	A	T	Unit Price(\$)
6.3	S4-02SF	53.5	φ27.6	19	12.5	G1/4 NPT1/4	*
10	S4-03SF	63	φ34	24	13	G3/8 NPT3/8	*
12.5	S4-04SF	66.3	φ38.6	27	16	G1/2 NPT1/2	*
20	S4-06SF	82.5	φ48.2	34	19	G3/4 NPT3/4	*
20	S4-06SF(E)	83.5	φ47.5	35	18	G3/4 NPT3/4	*
25	S4-08SF	96.5	φ56	41	21	G1 NPT1	*

NOTE: S4-06SF is interchangeable with FASTER, and S4-06SF (E) is interchangeable with PARKER.
注：S4-06SF与快事达 (FASTER) 互换，S4-06SF (E) 与派克 (PARKER) 互换。

ISO	Part No.	LP	D	C	W2	A	T	Unit Price(\$)
6.3	S4-02PF	36	14.2	18.5	19	12.5	G1/4 NPT1/4	*
10	S4-03PF	40	19	22	24	13	G3/8 NPT3/8	*
12.5	S4-04PF	43.5	20.5	27	27	16	G1/2 NPT1/2	*
20	S4-06PF	53.5	28	32	34	19	G3/4 NPT3/4	*
20	S4-06PF(E)	51	26.9	28.5	33.5	18	G3/4 NPT3/4	*
25	S4-08PF	63	31.3	38	41	21	G1 NPT1	*

NOTE: S4-06PF is interchangeable with FASTER, and S4-06PF (E) is interchangeable with PARKER.
注：S4-06PF与快事达 (FASTER) 互换，S4-06PF (E) 与派克 (PARKER) 互换。

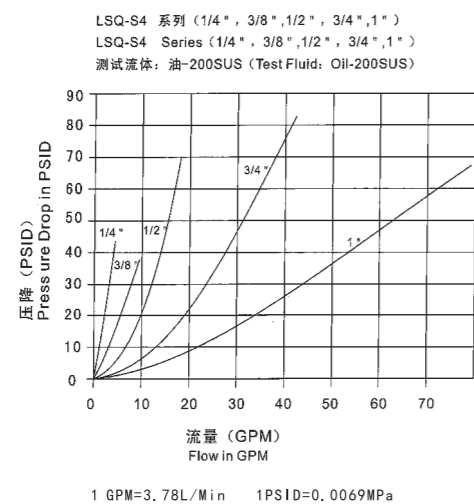
ISO	Part No.	L	D	W1	W2	T	Unit Price(\$)
6.3	S4-02	72.2	27.6	19	19	G1/8 NPT1/8	*
10	S4-03	82.6	34	24	24	G1/4 NPT1/4	*
12.5	S4-04	87.8	38.6	27	27	G3/8 NPT3/8	*
20	S4-06	107.8	48.2	34	34	G1/2 NPT1/2	*
20	S4-06	102	47.5	35	33.5	G3/4 NPT3/4	*
25	S4-08	126.8	56.2	41	41	G1 NPT1	*

NOTE: S4-06 is interchangeable with FASTER, and S4-06 (E) is interchangeable with PARKER.
注：S4-06与快事达 (FASTER) 互换，S4-06 (E) 与派克 (PARKER) 互换。

// Specifications 技术规范

Body Size/规格(inch)	1/4	3/8	1/2	3/4	1
Rated Pressure/额定压力(Psi)	5000	4000	4000	3000	3000
Rated Flow/额定流量(GPM)	3	6	12	28	50
Temperature Range/温度范围	-20°C to +120°C				
Standard seal material/标准密封圈材料	NBR/丁腈橡胶				

// Performance 性能



Dimensions shown may be changed without prior notice

Dimensions shown may be changed without prior notice

S5

// Applications 应用

The S5 Series brings to the industry a proven design for use on construction equipment, forestry equipment, agricultural machinery, and oil tools.

S5系列广泛应用于工业用途，用于建筑设备、森林设备、农业机械、液压机具。

// Features 特征

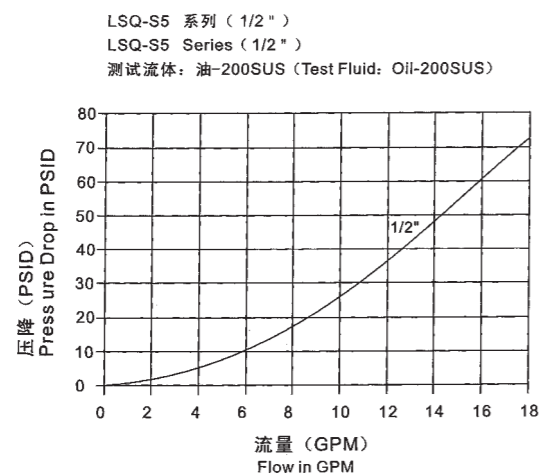
- Double acting sleeve for one handed push-to-Connect operation when coupler is clamp or bulkhead mounted.
- Poppet valves available to prevent uncoupled leakage.
- Poppet valves open automatically when coupled, within rated working pressure, to keep the flow expediently.
- Critical parts are hardened for durability.
- Dependable ball-locking mechanism holds the mating halves together.
- Socket and plug are precision machined from solid barstock.
- S4 series conforms to the standard of ISO5675.
- Compatible with PARKER 4250 Series, FASTER CPV-CNV Series.

- 在接头被夹紧或以舱壁形式安装时，双作用套筒可以用单手操作
- 接头断开时，阀芯自动闭合，防止泄漏。
- 接头连接后，阀自动开启，在额定工作范围内，始终保持流体的畅通。
- 关键部件经过感应淬火，所以耐用性好。
- 可靠的球锁机构将相匹配的两半部分结合在一起。
- 母插座和公插头采用实心的棒料精密制造。
- 本接头符合ISO5675标准。
- 并与下列产品互换：美国派克(PARKER)4250系列、意大利快事达(FASTER)CPV-CNV系列。

// Specifications 技术规范

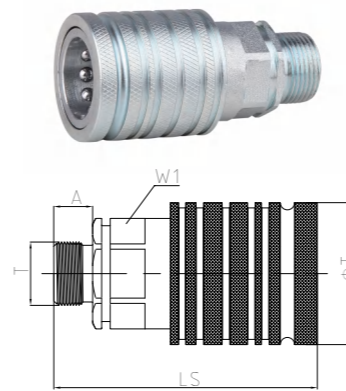
Body Size/规格(inch)	1/2
Rated Pressure/额定压力(Psi)	3000
Rated Flow/额定流量(GPM)	1
Temperature Range/温度范围	-20°C to +120°C
Standard seal material/标准密封圈材料	NBR/丁腈橡胶

// Performance 性能

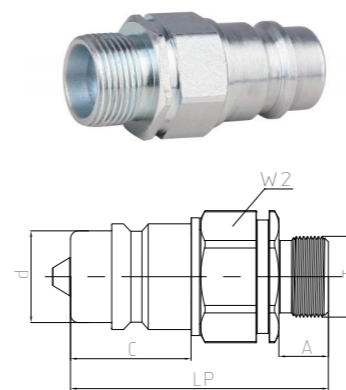


// Product 产品

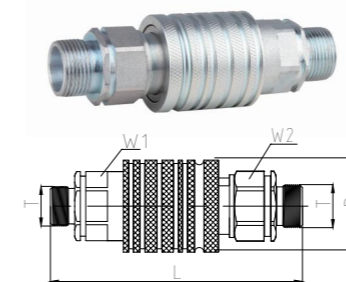
Socket 母插座



Plug 公插头



Coupling Fitting 连接器装配



ISO	Part No.	LS	D	W1	A	T	Unit Price(\$)
12.5	S5-04SM8L	73.5	φ38	27	12	M14*1.5	*
12.5	S5-04SM10L	73.5	φ38	27	12	M16*1.5	*
12.5	S5-04SM12L	73.5	φ38	27	12	M18*1.5	*
12.5	S5-04SM15L	75.5	φ38	27	14	M22*1.5	*
12.5	S5-04SM18L	75.5	φ38	27	14	M26*1.5	*
12.5	S5-04SM10S	73.5	φ38	27	12	M18*1.5	*
12.5	S5-04SM12S	73.5	φ38	27	12	M20*1.5	*
12.5	S5-04SM14S	75.5	φ38	27	14	M22*1.5	*
12.5	S5-04SM16S	75.5	φ38	27	14	M24*1.5	*
12.5	S5-04SM20S	77.5	φ38	30	16	M30*2	*

ISO	Part No.	LP	D	C	W2	A	T	Unit Price(\$)
12.5	S5-04PM8L	58.5	20.5	27	27	12	M14*1.5	*
12.5	S5-04PM10L	58.5	20.5	27	27	12	M16*1.5	*
12.5	S5-04PM12L	58.5	20.5	27	27	12	M18*1.5	*
12.5	S5-04PM15L	60.5	20.5	27	27	14	M22*1.5	*
12.5	S5-04PM18L	60.5	20.5	27	27	14	M26*1.5	*
12.5	S5-04PM10S	58.5	20.5	27	27	12	M18*1.5	*
12.5	S5-04PM12S	58.5	20.5	27	27	12	M20*1.5	*
12.5	S5-04PM14S	60.5	20.5	27	27	14	M22*1.5	*
12.5	S5-04PM16S	60.5	20.5	27	27	14	M24*1.5	*
12.5	S5-04PM20S	62.5	20.5	28	30	16	M30*2	*

ISO	Part No.	L	D	W1	W2	T	Unit Price(\$)
12.5	S5-04-8L	109.5	38	27	27	M14*1.5	*
12.5	S5-04-10L	109.5	38	27	27	M16*1.5	*
12.5	S5-04-12L	109.5	38	27	27	M18*1.5	*
12.5	S5-04-15L	113.5	38	27	27	M22*1.5	*
12.5	S5-04-18L	113.5	38	27	27	M26*1.5	*
12.5	S5-04-10S	109.5	38	27	27	M18*1.5	*
12.5	S5-04-12S	109.5	38	27	27	M20*1.5	*
12.5	S5-04-14S	113.5	38	27	27	M22*1.5	*
12.5	S5-04-16S	113.5	38	27	27	M24*1.5	*
12.5	S5-04-20S	115.5	38	30	30	M30*2	*

Dimensions shown may be changed without prior notice

Dimensions shown may be changed without prior notice

FF

// Applications 应用

FF Series couplings are widely used in the public utility market where hydraulic oil spillage can constitute a serious safety hazard, particularly in overhead bucket hoists that are used for maintenance of high-voltage power transmission lines. These couplings are also used for quick change of hydraulic tools in construction, railway maintenance and mining industries. The ease of cleaning makes them ideal for use in these types of hostile environments.

FF系列接头广泛用于以下公用设施：液压油泄漏会构成严重的安全险情，尤其对用于高压电源输线维护的架空斗式起重机，这类接头还用建筑、铁路维护及矿业中的液压机具之快速切换，易于清理使之能理想地用于这类特殊环境。

// Features 特征

- Steel construction, zinc plated with yellow chromate finish. Hardened nipples and sleeves and solid barstock construction for maximum resistance to damage from hydraulic and mechanical shock.
- This Anti-Blowout Nitrile/PTFE bonded seals designed to prevent blow-out or damage during severe service conditions.
- Durable ball-locking mechanism assures reliable connections every time. A large number of locking balls distributes the workload evenly while providing alignment and swiveling action to reduce hose torque and prolong hose life.
- CAUTION: These products are not to be used as swivels.
- Rotation under pressure will result in excessive and premature wear.
- FF Series couplings employ flush valving when connecting or disconnecting.
- This means that the valves are mated together so that only small amounts of fluid can be lost during disconnection or air inclusion during reconnection.
- New chrome plating treatment provides advanced anti-rust performance.
- FF series conforms to standard of ISO16028.

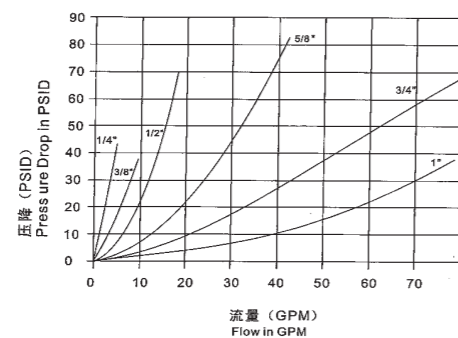
- 新型阀的设计，能抵抗高速流体与脉冲压力的冲击，提供更高的性能
- 套筒锁紧机构通过连接后旋转套筒而啮合，在使用期间沿地面拖动接头时，套筒机构能防止意外断开。
- 套筒机构的设计有助于防止杂质进入内部机构从而在连接或断开时引起误操作，套筒覆盖挡圈并且在弹射区域包含了防尘密封件。
- 淬火处理的公插头和套筒以及实心棒状结构造就优质阴接头，能最大限度的抵抗由于液压和机械冲击所造成的剥蚀及损坏。
- 这种高爆裂BFT密封圈设计用于防止在危险工作状况下出现爆裂或损坏。
- 耐用球锁机械保证每次都能可靠连接，数个锁定钢球均匀分配工作负载，同时提供对准及旋转动作从而减小软管扭曲延长软管使用期，警告：这类产品不能用作旋转阳接头，在压力下旋转会导致过度和过早磨损。
- FF系列接头在连接及断开时使用平齐阀机构操作，这意味着阀之间的接合能使断开时只损失少量流体，或在重新连接时只混入少量空气。
- 采用新工艺环保镀锌，提供更高的防锈性能。
- FF接头符合ISO16028标准，并与下列产品互换：美国派克(PARKER)FEM系列、意大利图奇(STUCCHI)FIRG系列、美国爱力克(AEROQUIP)FD89系列、美国汉森(HANSEN)FF系列。

// Specifications 技术规范

Body Size/规格(inch)	1/4(02)	3/8(03)	1/2(04)	5/8(06)	3/4(08)	1(10)	1-1/2(12)	2(16)
Rated Pressure/额定压力(Psi)	5000	4350	4350	3625	3625	3000	3000	3000
Rated Flow/额定流量(GPM)	3	6	12	20	28	50	80	100
Spillage/溢流量(ML)	0.006	0.012	0.02	0.026	0.032	0.035	0.05	0.1
Temperature Range/温度范围	-20°C to +120°C							
Standard seal material/标准密封圈材料	NBR/丁腈橡胶							

// Performance 性能

LSQ-FF 系列 (1/4", 3/8", 1/2", 5/8", 3/4", 1")
 LSQ-FF Series (1/4", 3/8", 1/2", 5/8", 3/4", 1")
 测试流体：油-200SUS (Test Fluid: Oil-200SUS)

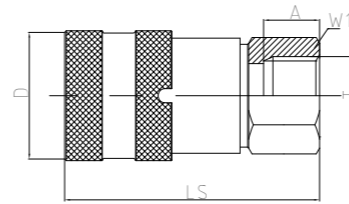


1 GPM=3.78L/Min 1PSID=0.0069MPa

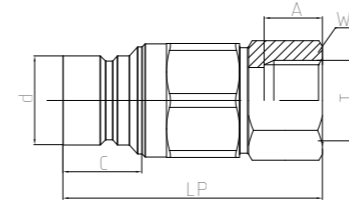


// Product 产品

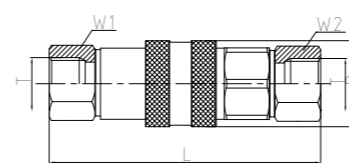
Socket 母插座



Plug 公插头



Coupling Fitting 连接器装配



ISO	Part No.	LS	D	W1	A	T	Unit Price(\$)
6.3	FF-02SF	58.2	φ28	28	14	G1/4 NPT1/4	*
10	FF-03SF	68.2	φ32	32	14	G3/8 NPT3/8	*
10	FF-03SF	72.2	φ32	32	18	G1/2 NPT1/2	*
12.5	FF-04SF	75	φ38	38	18	G1/2 NPT1/2	*
12.5	FF-04SF	79	φ38	38	22	G3/4 NPT3/4	*
16	FF-06SF	80	φ42	42	22	G3/4 NPT3/4	*
19	FF-08SF	99.8	φ48	48	22	G3/4 NPT3/4	*
19	FF-08SF	99.8	φ48	48	23.5	G1 NPT1	*
25	FF-10SF	111.5	φ56	56	24	G1-1/4 NPT1-1/4	*
-	FF-12SF	150	φ79.5	79.5	30	G1-1/2 NPT1-1/2	*
-	FF-16SF	167	φ98.5	98.5	31	G2 NPT2	*

ISO	Part No.	LP	d	C	W2	A	T	Unit Price(\$)
6.3	FF-02PF	49.2	16.1	15.2	20	14	G1/4 NPT1/4	*
10	FF-03PF	55.8	19.7	19.5	24	14	G3/8 NPT3/8	*
10	FF-03PF	59.8	19.7	19.5	27	18	G1/2 NPT1/2	*
12.5	FF-04PF	72	24.5	21.6	32	18	G1/2 NPT1/2	*
12.5	FF-04PF	76	24.5	21.6	36	22	G3/4 NPT3/4	*
16	FF-06PF	75.6	27	21.6	36	22	G3/4 NPT3/4	*
19	FF-08PF	93.8	30	29	41	22	G3/4 NPT3/4	*
19	FF-08PF	93.8	30	29	41	23.5	G1 NPT1	*
25	FF-10PF	90	36	34	55	24	G1-1/4 NPT1-1/4	*
-	FF-12PF	112	57	38	65	30	G1-1/2 NPT1-1/2	*
-	FF-16PF	123.9	73	40.5	75	31	G2 NPT2	*

ISO	Part No.	L	D	W1	W2	T	Unit Price(\$)
6.3	FF-02	49.2	φ28	28	20	G1/4 NPT1/4	*
10	FF-03	55.8	φ32	32	24	G3/8 NPT3/8	*
10	FF-03	59.8	φ32	32	27	G1/2 NPT1/2	*
12.5	FF-04	72	φ38	38	32	G1/2 NPT1/2	*
12.5	FF-04	76	φ38	38	36	G3/4 NPT3/4	*
16	FF-06	75.6	φ42	42	36	G3/4 NPT3/4	*
19	FF-08	93.8	φ48	48	41	G3/4 NPT3/4	*
19	FF-08	93.8	φ48	48	41	G1 NPT1	*
25	FF-10	90	φ56	56	55	G1-1/4 NPT1-1/4	*
-	FF-12	112	φ79.5	79.5	65	G1-1/2 NPT1-1/2	*
-	FF-16	123.9	φ98.5	98.5	75	G2 NPT2	*

Dimensions shown may be changed without prior notice

Dimensions shown may be changed without prior notice

PT

// Applications 应用

PT Series couplings are widely used in the public utility market where hydraulic oil spillage can constitute a serious safety hazard, particularly in overhead bucket hoists that are used for maintenance of high-voltage power transmission lines. These couplings are also used for quick change of hydraulic tools in construction, railway maintenance and mining industries. The ease of cleaning makes them ideal for use in these types of hostile environments.

PT系列接头广泛用于以下公用设施：液压油泄漏会构成严重的安全险情，尤其对于高压电源输送线维护的架空斗式起重机，这类接头还用建筑、铁路维护及矿业中的液压机具之快速切换，易于清理使之能理想地用于这类特殊环境。

// Features 特征

- Steel construction, zinc plated with yellow chromate finish. Hardened nipples and sleeves and solid barstock construction for maximum resistance to damage from hydraulic and mechanical shock.
- This Anti-Blowout Nitrile/PTFE bonded seals designed to prevent blow-out or damage during severe service conditions.
- Durable ball-locking mechanism assures reliable connections every time. A large number of locking balls distributes the workload evenly while providing alignment and swiveling action to reduce hose torque and prolong hose life.
- CAUTION: These products are not to be used as swivels.
- Rotation under pressure will result in excessive and premature wear.
- FF Series couplings employ flush valving when connecting or disconnecting.
- This means that the valves are mated together so that only small amounts of fluid can be lost during disconnection or air inclusion during reconnection.
- New chrome plating treatment provides advanced anti-rust performance.
- FF series conforms to standard of ISO16028.

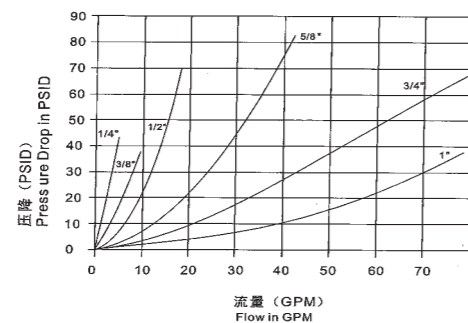
- 新型阀的设计，能抵抗高速流体与脉冲压力的冲击，提供更高的性能
- 套筒锁紧机构通过连接后旋转套筒而啮合，在使用期间沿地面拖动接头时，套筒机构能防止意外断开。
- 套筒机构的设计有助于防止杂质进入内部机构从而在连接或断开时引起误操作，套筒覆盖挡圈并且在弹射区域包含了防尘密封件。
- 淬火处理的公插头和套筒以及实心棒状结构造就优质阴接头，能最大限度的抵抗由于液压和机械冲击所造成的剥蚀及损坏。
- 这种高爆裂BFT密封圈设计用于防止在危险工作状况下出现爆裂或损坏。
- 耐用球锁机械保证每次都能可靠连接，数个锁定钢球均匀分配工作负载，同时提供对准及旋转动作从而减小软管扭曲延长软管使用期，警告：这类产品不能用作旋转阳接头，在压力下旋转会导致过度过早磨损。
- PT系列接头在连接及断开时使用平齐阀机构操作，这意味着阀之间的接合能使断开时只损失少量流体，或在重新连接时只混入少量空气。
- 采用新工艺环保镀锌，提供更高的防锈性能。
- PT接头符合15016028标准，并与下列产品互换：美国派克(PARKER)FEM系列、意大利意图奇(STUCCHI)FIRG系列、美国爱力克(AEROQUIP)FD89系列、美国汉森(HANSEN)FF系列。

// Specifications 技术规范

Body Size/规格(inch)	1/4(02)	3/8(03)	1/2(04)	5/8(06)	3/4(08)	1(10)	1-1/2(12)	2(16)
Rated Pressure/额定压力(Psi)	5000	4350	4350	3625	3625	3000	3000	3000
Rated Flow/额定流量(GPM)	3	6	12	20	28	50	80	100
Spillage/溢流量(ML)	0.006	0.012	0.02	0.026	0.032	0.035	0.05	0.1
Temperature Range/温度范围	-20°C to +120°C							
Standard seal material/标准密封圈材料	NBR/丁腈橡胶							

// Performance 性能

FF 系列 (1/4", 3/8", 1/2", 5/8", 3/4", 1")
 FF Series (1/4", 3/8", 1/2", 5/8", 3/4", 1")
 测试流体: 油-200SUS (Test Fluid: Oil-200SUS)

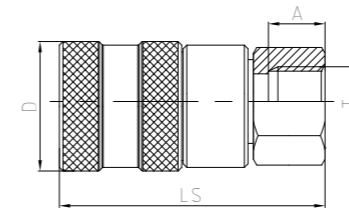


1 GPM=3.78L/Min 1PSID=0.0069MPa



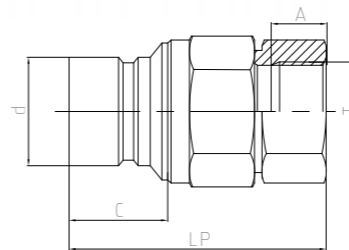
// Product 产品

Socket 母插座



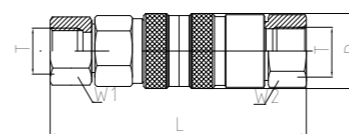
Part No.	LS	D	W1	A	T	Unit Price(\$)
PT-1/2-SF	82	36	36	17	1/2	*
PT-3/4-SF	82	36	36	17	1/3	*

Plug 公插头



Part No.	LP	D	W2	A	T	Unit Price(\$)
PT-1/2-PF	75	13.5	36	17	1/2 24.5	*
PT-3/4-PF	75	13.5	36	17	1/3 24.5	*

Coupling Fitting 连接器装配



Part No.	L	D	W1	W2	T	Unit Price(\$)
PT-1/2	96.2	28	36	36	1/2 24.5	*
PT-3/4	108.4	32	36	36	1/3 24.5	*

Dimensions shown may be changed without prior notice

Dimensions shown may be changed without prior notice

KZE-B

// Applications 应用

KZE-B Series couplings with their threaded union locking system and precision ball-type check valves, are designed for extreme high pressure applications such as portable hydraulic jacks.

带螺纹锁定系统及精确球型单向阀的KZE-B系列接头设计用于极高压力应用，例如便携式液压千斤顶。

// Features 特征

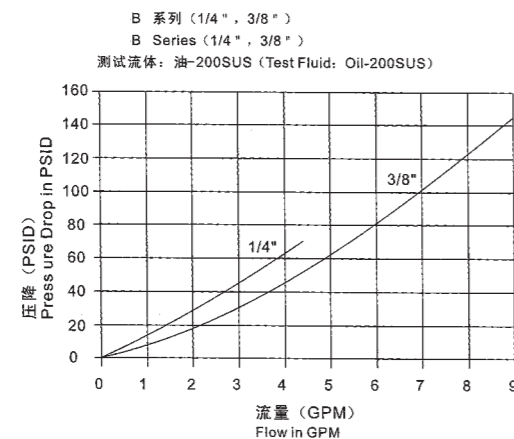
- Machined from solid steel barstock for durability.
- The KZE-B Series employs a threaded sleeve locking mechanism, mates with matching male threads on the nipple. The two halves must be manually threaded together for connection.
- Hard, chrome alloy balls are used for valving. They are spring loaded for positive seating of the valve.
- The valve provides a metal-to-metal seal between the ball and coined seat.
- The interface seal is polyurethane which resists high pressure extrusion.
- A threaded valve retainer provides a valve stop that assures positive valve alignment.
- Compatible with PARKER 3000 Series and FASTER PVVM Series.

- 采用实心钢棒料加工制造，所以耐用性好。
- KZE-B 系列阳接头上采用螺纹套筒锁定结构，与母插座上的相应的外螺纹配套使用，连接时公母两部分必须通过螺纹采用手动方式结合在一起。
- 阀采用坚硬的铬合金钢球，钢球被弹簧加载以使阀牢固的固定在阀座处。
- 阀提供钢球与内锥面之间的金属对金属密封。
- 接头密封为聚氨酯橡胶材料，能抵抗高压下挤出。
- 螺纹阀挡圈提供阀止档，保证阀能可靠的对中。
- 并与下列产品互换：美国派克(PARKER)3000系列，意大利快事达(FASTER)PVVM系列。

// Specifications 技术规范

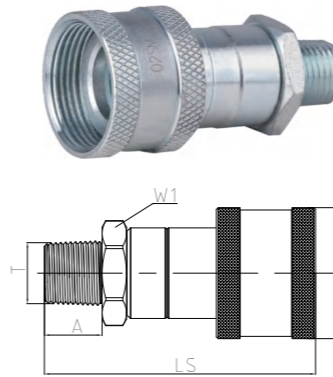
Body Size/规格(inch)	1/4	3/8
Rated Pressure/额定压力(Psi)	10000	10000
Rated Flow/额定流量(GPM)	3	6
Temperature Range/温度范围	-20°C to +120°C	
Standard seal material/标准密封圈材料	NBR/丁腈橡胶	

// Performance 性能



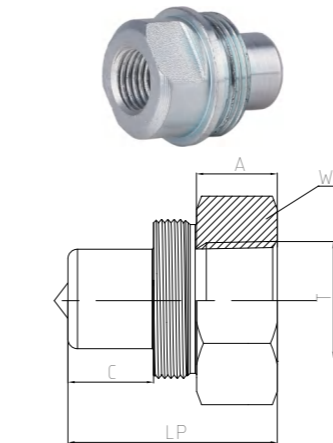
// Product 产品

Socket 母插座



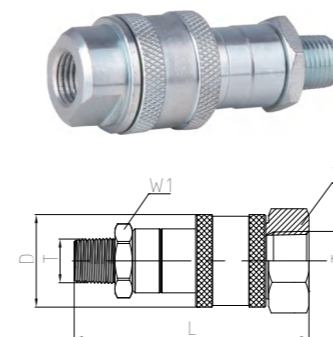
Part No.	LS	D	W1	A	T	Unit Price(\$)
KZE-B-02SM	60.8	28.5	22	13.5	NPT 1/4	*
KZE-B-03SM	77.1	35	25.4	14.4	NPT 3/8	*

Plug 公插头



Part No.	LP	C	W2	A	T	Unit Price(\$)
KZE-B-02PM	32.5	11.2	19	13	NPT 1/4	*
KZE-B-03PM	39.5	16	23	13.5	NPT 3/8	*

Coupling Fitting 连接器装配



Part No.	L	D	W1	W2	T	Unit Price(\$)
KZE-B-02	74.5	28.5	22	19	NPT 1/4	*
KZE-B-03	86.1	35	25.4	23	NPT 3/8	*

Dimensions shown may be changed without prior notice

Dimensions shown may be changed without prior notice

KZE-BA

// Applications 应用

Mobile equipment, agriculture machine and universal industrial equipment.
移动式设备, 农业机械和通用工业设备。

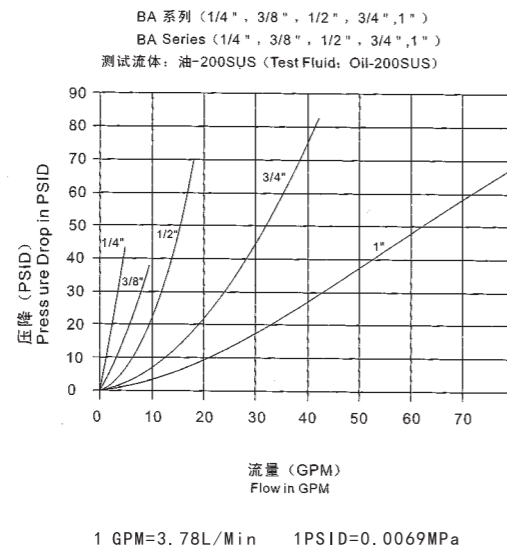
// Features 特征

- New valve design, it can resistance damage from high flow and the pressure of impulse that providing advanced performance
- Machined from solid steel barstock for durability
- The KZE-BA series employs a threaded sleeve locking mechanism, mates with matching male threads on the nipple. The two halves must be manually threaded together form connection.
- New chrome plating treatment provides advanced anti-rust performance.
- Compatible with GROMELLE 6000 Series and HOLMBURY TGW series.
- 新型阀的设计, 能抵抗高速流体与脉冲压力的冲击, 提供更高的性能。
- 采用实心钢棒加工制造, 所以耐用性好。
- KZE-BA 系列阴接头上采用螺纹套筒锁定结构, 与母插座上的相应的外螺纹配套使用。
- 连接时公母两部分必须通过螺纹采用手动方式结合在一起。
- 采用新工艺环保镀锌, 提供更高的防锈性能。
- 螺纹阀档圈提供阀止档, 保证阀能可靠的对中。
- 并与下列产品互换: 法国格鲁梅尔GROMELLE 6000系列和英国亨佰利TGW系列。

// Specifications 技术规范

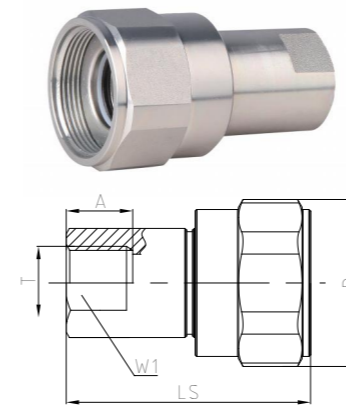
Body Size/规格(inch)	1/4	3/8	1/2	3/4	1
Rated Pressure/额定压力(Psi)	10000	10000	10000	8500	6000
Rated Flow/额定流量(GPM)	3	6	12	28	50
Temperature Range/温度范围	-20°C to +120°C				
Standard seal material/标准密封圈材料	NBR/丁腈橡胶				

// Performance 性能

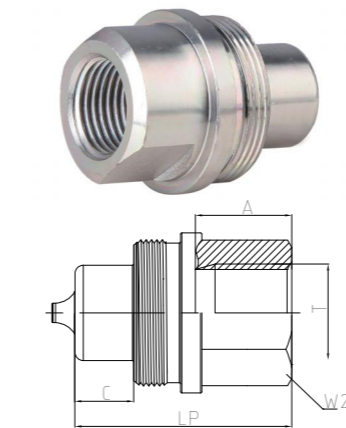


// Product 产品

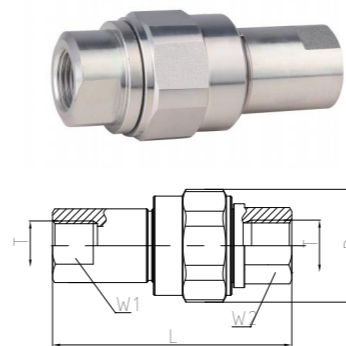
Socket 母插座



Plug 公插头



Coupling Fitting 连接器装配



Part No.	LS	D	W1	A	T	Unit Price(\$)
KZE-BA-02SF	58.9	S32	S19	13	G1/4 NPT1/4	*
KZE-BA-03SF	66.5	S36	S22	16	G3/8 NPT3/8	*
KZE-BA-04SF	76.5	S41	S27	18	G1/2 NPT1/2	*
KZE-BA-06SF	89.5	S50	S35	20.5	G3/4 NPT3/4	*
KZE-BA-08SF	105.5	S65	S41	20.5	G1 NPT1	*

Part No.	LP	C	W2	A	T	Unit Price(\$)
KZE-BA-02PF	36	12.5	S19	13	G1/4 NPT1/4	*
KZE-BA-03PF	40.5	16	S22	16	G3/8 NPT3/8	*
KZE-BA-04PF	49	17	S27	18	G1/2 NPT1/2	*
KZE-BA-06PF	56	19	S35	20.5	G3/4 NPT3/4	*
KZE-BA-08PF	66	22	S41	20.5	G1 NPT1	*

Part No.	L	D	W1	W2	T	Unit Price(\$)
KZE-BA-02	72.3	S32	S19	S19	G1/4 NPT1/4	*
KZE-BA-03	81.5	S36	S22	S22	G3/8 NPT3/8	*
KZE-BA-04	98.3	S41	S27	S27	G1/2 NPT1/2	*
KZE-BA-06	112.4	S50	S35	S35	G3/4 NPT3/4	*
KZE-BA-08	132.9	S65	S41	S41	G1 NPT1	*

Dimensions shown may be changed without prior notice

Dimensions shown may be changed without prior notice

KZE-BD

// Applications 应用

Mobile equipment, agriculture machine and universal industrial equipment.
移动式设备, 农业机械和通用工业设备。

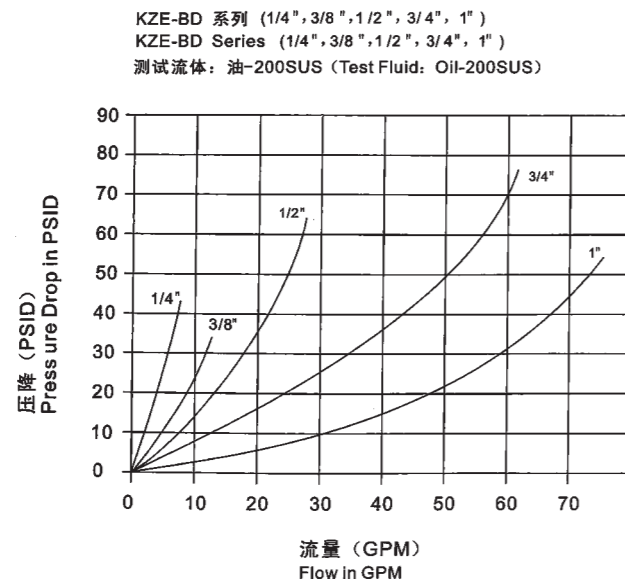
// Features 特征

- New valve design, it can resistance damage from high flow and the pressure of impulse that providing advanced performance
- Machined from solid steel barstock for durability
- The KZE-BD series employs a threaded sleeve locking mechanism, mates with matching male threads on the nipple. The two halves must be manually threaded together form connection.
- New chrome plating treatment provides advanced anti-rust performance.
- Compatible with FASTER VVS series.
- 新型阀的设计, 能抵抗高速流体与脉冲压力的冲击, 提供更高的性能。
- 采用实心钢棒加工制造, 所以耐用性好。
- KZE-BD 系列阴接头上采用螺纹套筒锁定结构, 与母插座上的相应的外螺纹配套使用。
- 连接时公母两部分必须通过螺纹采用手动方式结合在一起。
- 采用新工艺环保镀锌, 提供更高的防锈性能。
- 并与下列产品互换: 意大利快事达(FASTER)VVS系列。

// Specifications 技术规范

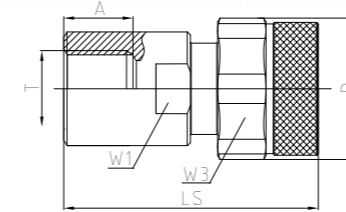
Body Size/规格(inch)	1/4	3/8	1/2	3/4	1	1-1/4	1-1/2	2
Rated Pressure/额定压力(Psi)	10000	10000	10000	10000	7500	6500	5000	5000
Rated Flow/额定流量(GPM)	3	4.5	8	12	24	35	75	200
Temperature Range/温度范围	-20°C to +120°C							
Standard seal material/标准密封圈材料	NBR/丁腈橡胶							

// Performance 性能

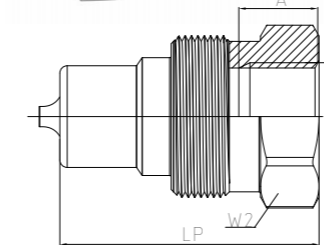


// Product 产品

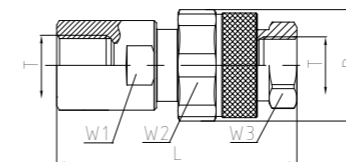
Socket 母插座



Plug 公插头



Coupling Fitting 连接器装配



Part No.	LS	D	W1	W3	A	T	Unit Price(\$)
KZE-BD-02SF	68	30	23	27	16	G1/4 NPT1/4	*
KZE-BD-03SF	75.6	39.7	30	36	14.5	G3/8 NPT3/8	*
KZE-BD-04SF	86.4	45	34.3	41	19	G1/2 NPT1/2	*
KZE-BD-06SF	105.5	53.8	41	50	23	G3/4 NPT3/4	*
KZE-BD-08SF	123	58.8	50	55	23	G1 NPT1	*
KZE-BD-10SF	152.5	78.5	65	75	26	G1-1/4 NPT1-1/4	*
KZE-BD-12SF	172	98	75	90	27	G1-1/2 NPT1-1/2	*
KZE-BD-16SF	206.5	129	100	125	27	G2 NPT2	*

Part No.	LP	W2	A	T	Unit Price(\$)
KZE-BD-02PF	43	25	13	G1/4 NPT1/4	*
KZE-BD-03PF	48	32	16	G3/8 NPT3/8	*
KZE-BD-04PF	53	34	18	G1/2 NPT1/2	*
KZE-BD-06PF	63	46	21	G3/4 NPT3/4	*
KZE-BD-08PF	72	50	23	G1 NPT1	*
KZE-BD-10PF	86	65	26	G1-1/4 NPT1-1/4	*
KZE-BD-12PF	95	80	27	G1-1/2 NPT1-1/2	*
KZE-BD-16PF	118	110	27	G2 NPT2	*

Part No.	L	D	W1	W2	W3	T	Unit Price(\$)
KZE-BD-02	84.2	30	23	25	27	G1/4 NPT1/4	*
KZE-BD-03	89.5	39.7	30	32	36	G3/8 NPT3/8	*
KZE-BD-04	102.2	45	34	34	41	G1/2 NPT1/2	*
KZE-BD-06	121.2	53.8	41	46	50	G3/4 NPT3/4	*
KZE-BD-08	123	58.8	50	50	55	G1 NPT1	*
KZE-BD-10	152.5	78.5	65	65	75	G1-1/4 NPT1-1/4	*
KZE-BD-12	172	98	75	80	90	G1-1/2 NPT1-1/2	*
KZE-BD-16	206.5	129	100	110	125	G2 NPT2	*

Dimensions shown may be changed without prior notice

Dimensions shown may be changed without prior notice

KZE

// Applications 应用

The KZE Series brings to the industry aproven design for use on construction equipment,forestry equipment,agricultural, machinery,oil tools,steel mill machinery,and other demanding hydraulic applications

KZE系列广泛应用于各种工业所需的连接，主要用于建筑设备、森林设备、农业设备、液压机具、钢铁设备及其它所需的液压应用。

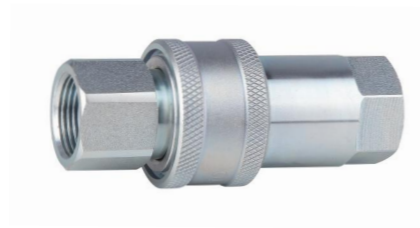
// Features 特征

New valve design,it can resistance damage from high flow and the pressure of impulse that providing advanced performance.

- Poppet valves available to prevent uncoupled leakage.
- Poppet valves open automatically when coupled,within rated working pressure,to keep the flow expedately.
- Critical parts are hardened for durability.
- Dependable ball-locking mechanism holds the mating halves together.
- Socket and plug are precision machined from solid bar stock.
- New Chrome plating treatment provides advanced anti-rust performance.
- ISOA series conforms to the standard of ISO 7241-A.
- Compatible with PARKER 6600 Series,FASTERANV Series,AEROQUIP 5600 Series and HANSEN HA15000 Series.
- 新型阀的设计，能抵抗高速流体与脉冲压力的冲击，提供更高的性能。
- 接头断开时，阀芯自动闭合，防止泄漏。
- 接头连接后，阀自动开启，在额定工作范围内，始终保持流体的畅通。
- 关键部件经过感应淬火，所以耐用性好
- 可靠的球锁机构将相匹配的两半部分结合在一起
- 母插座和公插头采用实心的棒料精密制造
- 本接头符合ISO7241-A 标准
- 并与下列产品互换：美国派克(PARKER)6600系列、意大利快事达(FASTER)ANV系列、美国爱力克(AEROQUIP)5600系列、美国汉森(HANSEN)HA15000系列

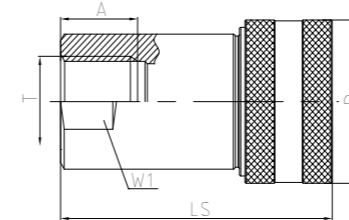
// Specifications 技术规范

Body Size/规格(inch)	1/8	1/4	3/8	1/2	3/4	1	1-1/4	1-1/2	2
Body Size/规格(Metric)		M14	M16/M18	M20/M22	M27				
Rated Pressure/额定压力(Psi)	5000	3000	3000	3000	3000	1000	2000	2000	1500
Temperature Range/温度范围	-20°C to +120°C								
Standard seal material/标准密封圈材料	NBR/丁腈橡胶								

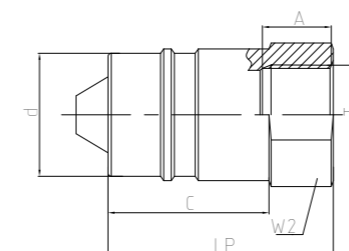


// Product 产品

Socket 母插座



Plug 公插头



Part No.	LS	D	W1	A	T	Unit Price(\$)
KZE-01PF	49	28	17	9	G1/8	*
KZE-02PF	58.2	27	19	12.5	G1/4	*
KZE-03PF	65	37	22	13	G3/8	*
KZE-04PF	65	40	27	17	G1/2	*
KZE-06PF	79.2	49	36	18	G3/4	*
KZE-08PF	94	56	41	21	1	*
KZE-10PF	115	69	54	27	G1-1/4	*
KZE-12PF	124	79	60	27	G1-1/2	*
KZE-16PF	132.3	102	77	30	G2	*
KZE-14×1.5PF	58	28	19	13	14×1.5	*
KZE-16×1.5PF	65	35	22	13	16×1.5	*
KZE-18×1.5PF	65	35	24	13	18×1.5	*
KZE-20×1.5PF	65	40	27	17	20×1.5/22×1.5	*
KZE-22×1.5PF	66.5	40	30	17	22×1.5	*
KZE-27×1.5PF	79.2	49	36	18	27×1.5SF	*

Part No.	LP	C	W2	A	T	d	Unit Price(\$)
KZE-01PF	36	17	17	9	G1/8		*
KZE-02PF	36	22.5	19	13	G1/4	14.1	*
KZE-03PF	40	25	22	13	G3/8	19	*
KZE-04PF	45	25	27	17	G1/2	21.5	*
KZE-06PF	55	26	36	18	G3/4	30	*
KZE-08PF	59.5	36	41	21	1		*
KZE-10PF	70	45	52	27	G1-1/4		*
KZE-12PF	75	49	60	27	G1-1/2		*
KZE-16PF	80	52	77	30	G2		*
KZE-14×1.5PF	36	22.5	19	13	14×1.5	14.1	*
KZE-16×1.5PF	40	26	22	13	16×1.5	19	*
KZE-18×1.5PF	40	26	24	13	18×1.5	19	*
KZE-20×1.5PF	45	25	27	17	20×1.5/22×1.5	21.5	*
KZE-22×1.5PF	45	25	30	17	22×1.5	21.5	*
KZE-27×1.5PF	55	26	36	18	27×1.5SF	30	*

Dimensions shown may be changed without prior notice

Dimensions shown may be changed without prior notice

S7

// Applications 应用

The S7 Series bring to the industry a proven design for use on construction equipment, forestry equipment, agricultural machinery, oil tools, steel mill machinery, and other demanding hydraulic applications.

S7 系列广泛应用于各种工业用途，主要用于建筑设备、森林设备、农业机械、液压机具、钢铁设备及其它所需的液压应用技术。

// Features 特征

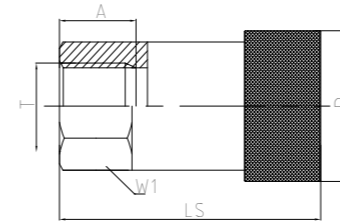
- Poppet valves available to prevent uncoupled leakage.
- Poppet valves open automatically when coupled, within rated working pressure, to keep the flow expediently.
- Critical parts are hardened for durability.
- Dependable ball-locking mechanism holds the mating halves together.
- Socket and plug are precision machined from solid barstock.
- Socket and plug are precision machined from solid bar stock.
- Compatible with NITTO HSP coupler Series.

- 接头断开时，阀芯自动闭合，防止泄漏。
- 接头连接后，阀自动开启，在额定工作范围内，始终保持流体的畅通。
- 关键部件经过感应淬火，所以耐用性好。
- 可靠的球锁机构将相匹配的两半部分结合在一起。
- 母插座和公插头采用实心的棒料精密制造。
- 并与日东 (NITTO) HSPcupla系列互换。

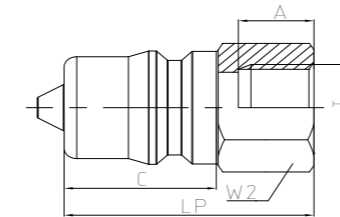


// Product 产品

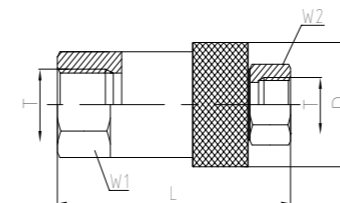
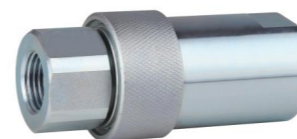
Socket 母插座



Plug 公插头



Coupling Fitting 连接器装配



Part No.	LS	D			T	Unit Price(\$)
S7-02SF	53	27.5	19	12	G1/4 NPT1/4	*
S7-03SF	60.4	33			G3/8 NPT3/8	*
S7-04SF	72	43	35	16	G1/2 NPT1/2	*
S7-06SF	72	43	35	18	G3/4 NPT3/4	*
S7-08SF	93.2	58	46	23	G1 NPT1	*

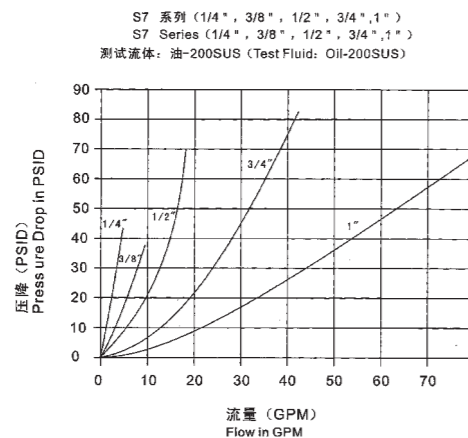
Part No.	LP	C	W2	A	T	Unit Price(\$)
S7-02PF	36	17	19	12	G1/4 NPT1/4	*
S7-03PF	38	22.5	23	13	G3/8 NPT3/8	*
S7-04PF	50	27.5	32	16	G1/2 NPT1/2	*
S7-06PF	50	27.5	32	18	G3/4 NPT3/4	*
S7-08PF	61	36	41	23	G1 NPT1	*

Part No.	L	D	W1	W2	T	Unit Price(\$)
S7-02PF	72.5	28.5	19	19	G1/4 NPT1/4	*
S7-03PF	76.5	33	23	23	G3/8 NPT3/8	*
S7-04PF	95.5	43	35	32	G1/2 NPT1/2	*
S7-06PF	95.5	43	35	32	G3/4 NPT3/4	*
S7-08PF	120	58	46	41	G1 NPT1	*

// Specifications 技术规范

Body Size/规格(inch)	1/4	3/8	1/2	3/4	1
Rated Pressure/额定压力(Psi)	5000				
Rated Flow/额定流量(GPM) (断开时的最大数值)	3	6	12	28	50
Temperature Range/温度范围	-20°C to +120°C				
Standard seal material/标准密封圈材料	NBR/丁腈橡胶				

// Performance 性能



Dimensions shown may be changed without prior notice

Dimensions shown may be changed without prior notice

DD-ST

// Applications 应用

The DDST Series are non-valved couplings for applications where maximum flow is required. Their smooth open bore offers the lowest pressure drop of any quick coupling design and is ideal for applications such as high-pressure water and steam washers, carpet cleaners and mold coolant lines and many other non-valved applications.

DDST 系列为无阀芯接头，用于需要大流量的应用。其平滑通孔设计可提供比任何其他快换接头设计的更低压降，并可理想地用于高压水和蒸汽冲洗设备、地毯清洁设备及铸模冷却管路方面的应用。其通常用于食品加工、流体及燃料转换生产线。

// Features 特征

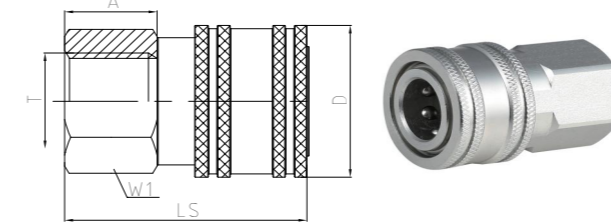
- The smooth, open bore with no valving in either half offers minimal pressure drop and allows easy cleaning in applications where the same lines are used for more than one media.
- ST couplers and nipples are machined from solid bar stock providing the quality coupling that is durable.
- ST nipples are available in brass and zinc-plated steel. The ball locking grooves of the steel.
- ST nipples are case hardened for resistance to brinelling where high cycle rates and pressure surges are encountered.
- The ST is an "Interchange" coupling because the dimensionally and functionally can interchange with similar couplings made by other manufacturers.
- Compatible with PARKER ST Series, HANSEN ST Series, FOSTER FST Series.

- 任一部分均无阀的平滑开孔产生最小的压降，并在相同管路使用一种以上的介质时，该种接头易于清洗。
- ST母插座及公插头采用实心棒料加工制造，从而提供耐用的优质接头。
- ST公插头材料包括黄铜及镀锌碳钢。铜质LST公插头的球锁沟槽表面经过渗碳淬火处理，所以能抵抗高循环速度及高压力冲击所造成的撞击剥蚀。
- ST系列为一种互换式接头，因为它在规格和功能上可与其它制造商制造的类似连接件互换使用。
- 与下列产品互换：美国派克(PARKER)ST系列、德国费斯托(FOSTER)FST系列、美国汉森(HANSEN)ST系列。

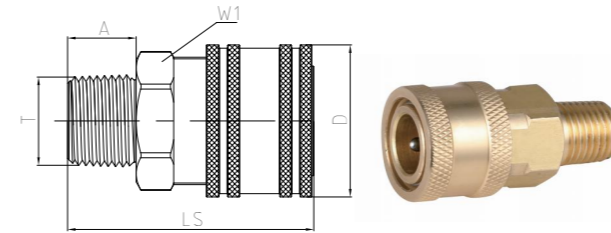


// Product 产品

Socket 母插座

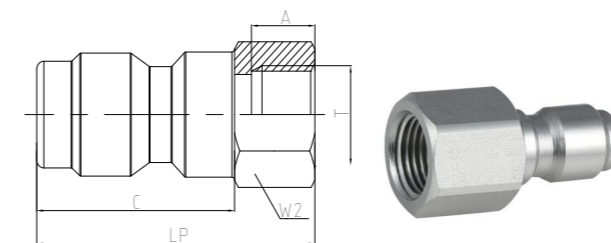


Part No.	LS	D	W1	A	T	Unit Price(\$)
DD-ST-01SF	27	18	14	10	NPT1/8	*
DD-ST-02SF	37	24	19	12	NPT1/4	*
DD-ST-03SF	41.5	29	24	13	NPT3/8	*
DD-ST-04SF	51	33	29	15	NPT1/2	*
DD-ST-06SF	53.4	40.9	38	19	NPT3/4	*
DD-ST-08SF	66	50.5	44.45	22	NPT1	*

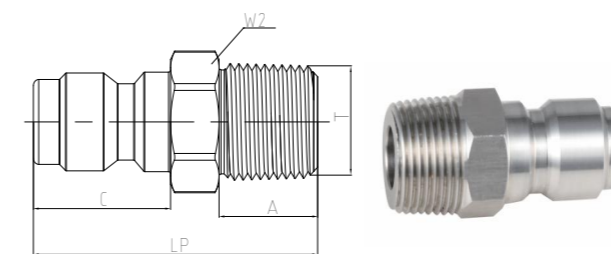


Part No.	LS	D	W1	A	T	Unit Price(\$)
DD-ST-01SM	29	18	14	10	NPT1/8	*
DD-ST-02SM	39.5	24	19	12	NPT1/4	*
DD-ST-03SM	43	29	24	13	NPT3/8	*
DD-ST-04SM	53	33	29	15	NPT1/2	*
DD-ST-06SM	56.7	40.9	38	19	NPT3/4	*
DD-ST-08SM	61.1	50.5	44.5	24	NPT1	*

Plug 公插座



Part No.	LS	D	W1	A	T	Unit Price(\$)
DD-ST-01SF	27	17	14	10	NPT1/8	*
DD-ST-02SF	37	19.5	17	12	NPT1/4	*
DD-ST-03SF	41.5	22.5	22	13	NPT3/8	*
DD-ST-04SF	51	26	27	15	NPT1/2	*
DD-ST-06SF	52	28.5	30	20	NPT3/4	*
DD-ST-08SF	60	30.5	38	22	NPT1	*

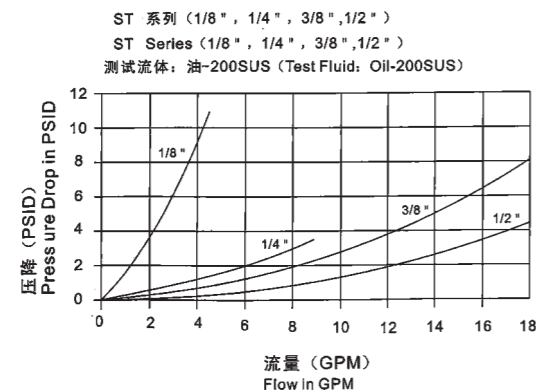


Part No.	LS	D	W1	A	T	Unit Price(\$)
DD-ST-01SF	29	17	11	10	NPT1/8	*
DD-ST-02SF	39.5	19.5	14	12	NPT1/4	*
DD-ST-03SF	43	22.5	17	13	NPT3/8	*
DD-ST-04SF	53	26	22	15	NPT1/2	*
DD-ST-06SF	57.2	28.5	27	19	NPT3/4	*
DD-ST-08SF	62.4	30.5	35	22	NPT1	*

// Specifications 技术规范

Body Size/规格(inch)	1/8	1/4	3/8	1/2
Rated Pressure/额定压力(Psi)				
Brass Cplr/黄铜	1000	1000	1000	1000
Steel Cplr/碳钢	2000	2000	1500	1500
Rated Flow/额定流量(GPM)	6	6	12	12
Temperature Range/温度范围	-20°C to +120°C			

// Performance 性能



Dimensions shown may be changed without prior notice

Dimensions shown may be changed without prior notice

DD-RD

// Applications 应用

The Series are non-valved couplings for applications where maximum flow is required. Their smooth, open bore offers the lowest pressure drop of any quick coupling design and is ideal for applications such as high-pressure water and steam washers, carpet cleaners and mold coolant lines and many other non-valved applications

RD 系列为无阀芯接头，用于需要大流量的应用。其平滑通孔设计可提供比任何其他快换接头设计的更低压降，并可理想地用于高压水和蒸汽冲洗设备、地毯清洁设备及铸模冷却管路方面的应用。其通常用于食品加工、流体及燃料转换生产线。

// Features 特征

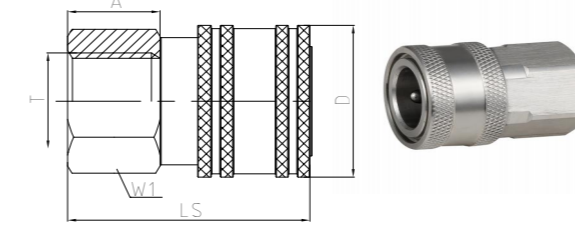
- The smooth, open bore with no valving in either half offers minimal pressure drop and allows easy cleaning in applications where the same lines are used for more than one media.
- RD couplers and nipples are machined from solid bar stock providing the quality coupling that is durable.
- RD coupler are available in brass and 304 stainless steel as standard product materials.
- RD nipples are available in 304 stainless steel, brass.
- The RD is an "Interchange" coupling because the dimensionally and functionally can inter-ange with similar couplings made by other manufactures.
- Compatible with NITTO TSP Series.

- 任一部分均无阀的平滑开孔产生最小的压降，并当在相同管路使用一种以上的介质时，该种接头易于清洗。
- RD阴接头及阳接头采用实心棒料加工制造，从而提供耐用的优质接头。
- RD接头有黄铜及304不锈钢作为标准材料。
- RD材料包括304不锈钢、黄铜。
- RD系列为一种互换式接头，因为它在规格和功能上可与其它制造商制造的类似连接件互换使用。
- 与下列产品互换：日东(NITTO)TSP系列

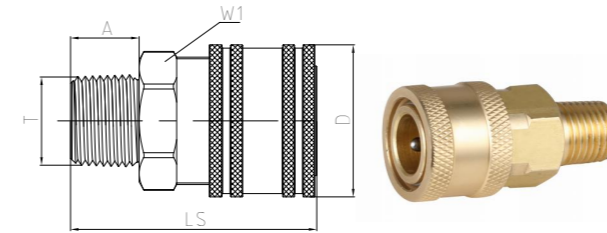


// Product 产品

Socket 母插座

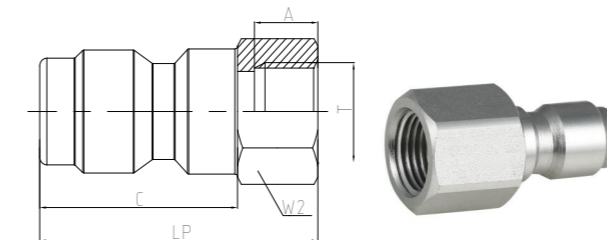


Part No.	LS	D	W1	A	T	Unit Price(\$)
DD-RD-01SF	27	17.5	14	9	ZG1/8	*
DD-RD-02SF	32	24	19	13	ZG1/4	*
DD-RD-03SF	35.8	28.3	23	13	ZG3/8	*
DD-RD-04SF	42.6	35	29	17	ZG1/2	*
DD-RD-06SF	49.5	41	36	18	ZG3/4	*
DD-RD-08SF	59.3	57.8	50	22	ZG1	*

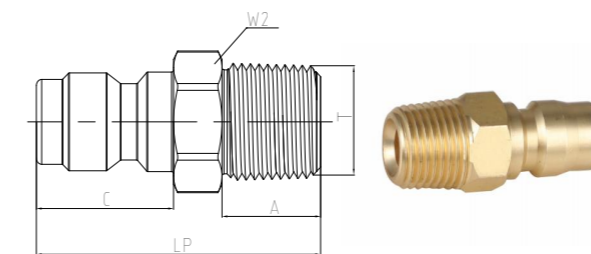


Part No.	LS	D	W1	A	T	Unit Price(\$)
DD-RD-01SM	30	17.5	14	9	ZG1/8	*
DD-RD-02SM	42	24	19	13	ZG1/4	*
DD-RD-03SM	46.3	28.3	23	13	ZG3/8	*
DD-RD-04SM	56.1	35	29	17	ZG1/2	*
DD-RD-06SM	61	41	36	18	ZG3/4	*
DD-RD-08SM	67.3	57.8	50	22	ZG1	*

Plug 公插座



Part No.	LS	D	W1	A	T	Unit Price(\$)
DD-RD-01SF	26	15.5	14	9	ZG1/8	*
DD-RD-02SF	35	18	17	13	ZG1/4	*
DD-RD-03SF	38	21.2	21	13	ZG3/8	*
DD-RD-04SF	45	24.5	29	17	ZG1/2	*
DD-RD-06SF	50	28	32	18	ZG3/4	*
DD-RD-08SF	61	36	41	22	ZG1	*

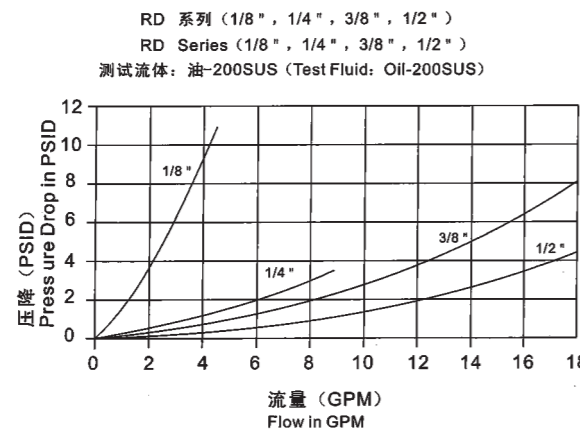


Part No.	LS	D	W1	A	T	Unit Price(\$)
DD-RD-01SF	32	15.5	12	9	ZG1/8	*
DD-RD-02SF	38	18	17	13	ZG1/4	*
DD-RD-03SF	43	21.2	19	13	ZG3/8	*
DD-RD-04SF	52	24.5	23	17	ZG1/2	*
DD-RD-06SF	56	28	29	18	ZG3/4	*
DD-RD-08SF	73	36	41	22	ZG1	*

// Specifications 技术规范

Body Size/规格(inch)	1/8	1/4	3/8	1/2
Rated Pressure/额定压力(Psi)				
Brass Cplr/黄铜	1000	1000	1000	1000
Steel Cplr/碳钢	2000	2000	1500	1500
Rated Flow/额定流量(GPM)	3	6	12	12
Temperature Range/温度范围	-20°C to +120°C			

// Performance 性能



Dimensions shown may be changed without prior notice

Dimensions shown may be changed without prior notice

DD-TC

// Applications 应用

The TC series couplings are found in the construction, railway maintenance and house moving industries. Used on hydraulic jacking equipment, these couplers eliminate costly downtime caused by improperly connected threaded types. For use where high pressure capability is required coupled with positive coupling action. Considerably faster to use than threaded types.

TC系列接头可用于建筑、铁路维护及房屋移动行业。用于液压千斤顶设备时，这类接头可消除由螺纹应用状况下，需要可靠的连接方式这种快速接头比螺纹型连接快的多。

// Features 特征

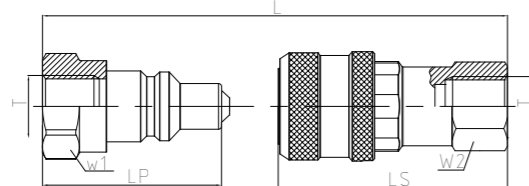
- Positive valve stop, the perch maintains valve alignment and provides metal to metal valve stop to ensure that the valves open fully, every time.
- Precision machined valves with electrometric seal provide for positive shut-off upon disconnection.
- Hardened nipples and sleeves and solid barstock construction make for a quality coupling with maximum resistance to damage from hydraulic and mechanical shock.
- Durable ball-locking mechanism assures reliable connection every time. A large number of locking balls distributes and work load evenly while providing alignment and swiveling action to reduce hose torque and prolong hose life. CAUTION: These products are not to be used as swivels; rotation under pressure will result in excessive and premature wear.
- Sleeve locking mechanism prevents accidental disconnection when coupling is dragged along the ground.
- Compatible with PARKER TC Series.
- 可靠的阀止档，阀轴架可保持对中并提供金属对金属的阀止档，从而确认每次阀都可完全打开。
- 带橡胶密封件的精密加工阀可在断开后提供可靠的关系。
- 经过淬火的公接头和套筒以及实心料结构造就优质接头，它可最大的抵抗由于液压和机械冲击而造成的损坏。
- 耐用球锁机构保证每次都能可靠连接，更多数量的锁定钢球均匀分配工作负载，同时提供对中及旋转动作从而减小软管扭曲并延长软管使用期。警告：这类产品不能用作旋转接头，在压力下旋转会导致过度或过早磨损。
- 套筒锁紧机构可防止接头在地上拖动时意外断开。
- 与美国派克PARKER TC系列。

// Specifications 技术规范

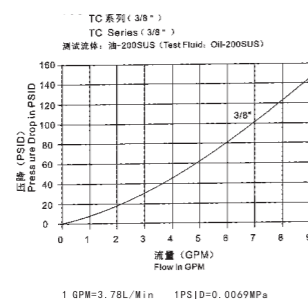
Body Size/规格(inch)	3/8
Rated Pressure/额定压力(Psi)	10000
Rated Flow/额定流量(GPM)	6
Temperature Range/温度范围	-20°C to +120°C
Standard seal material/标准密封圈材料	NBR/丁腈橡胶

// Product 产品

Part No.	T	D	W1	W2	L	LS	LP	Unit Price(\$)
DD-TC	NPT3/8	32	24	24	79	62.5	44.2	500



// Performance 性能



Q/ZB275-77

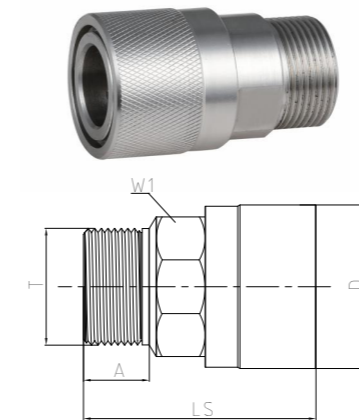
// Applications 应用

The Q/ZB275-77 Series bring to the industry a proven design for use on construction equipment, forestry equipment, agricultural machinery, oil tools, steel mill machinery, and other demanding hydraulic applications.

Q/ZB275-77系列广泛应用于各种工业所需的连接，主要用于建筑设备、森林设备、农业机械、液压机具、石油设备、钢铁设备、及其它所需的液压应用。

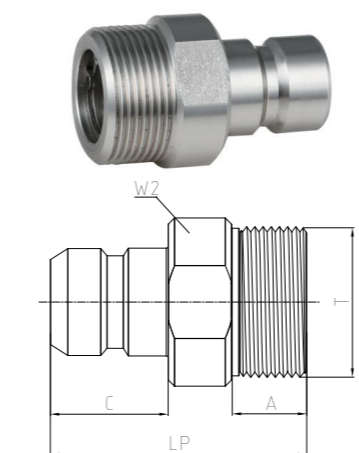
// Product 产品

Socket 母插座



Part No.	LS	D	W1	A	T	Unit Price(\$)
Q/ZB275-77 06SM	44	28	19	13	M16*1.5	*
Q/ZB275-77 08SM	46	31	22	13	M22*1.5	*
Q/ZB275-77 10SM	52	35	27	13	M27*1.5	*
Q/ZB275-77 15SM	56	39.6	30	16	M30*1.5	*
Q/ZB275-77 20SM	65	48	36	16.5	M36*2	*
Q/ZB275-77 25SM	73	55	46	20	M42*2	*
Q/ZB275-77 32SM	84	64.5	55	22	M52*2	*
Q/ZB275-77 40SM	93	78	65	26	M50*2	*
Q/ZB275-77 50SM	99	82	70	30	M68*2	*

Plug 公插头



Part No.	LS	C	W2	A	T	Unit Price(\$)
Q/ZB275-77 06SM	40	18	19	13	M16*1.5	*
Q/ZB275-77 08SM	41	19	22	13	M22*1.5	*
Q/ZB275-77 10SM	46	22	27	13	M27*1.5	*
Q/ZB275-77 15SM	52.5	24	30	16	M30*1.5	*
Q/ZB275-77 20SM	58.5	29	36	16.5	M36*2	*
Q/ZB275-77 25SM	65.5	31	46	20	M42*2	*
Q/ZB275-77 32SM	79	36	55	22	M52*2	*
Q/ZB275-77 40SM	89.5	39.5	65	26	M50*2	*
Q/ZB275-77 50SM	96.5	41	70	30	M68*2	*

// Specifications 技术规范

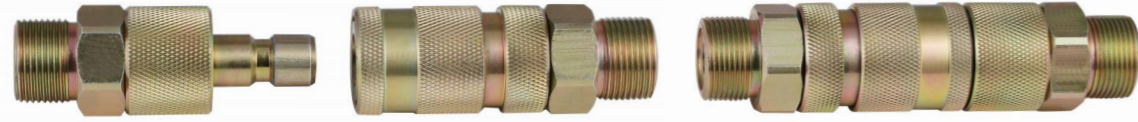
Body Size/规格(inch)	M16*1.5	M22*1.5	M27*1.5	M30*1.5	M36*2	M42*2	M52*2	M50*2	M68*2
Rated Pressure/额定压力(Psi)	5000	5000	5000	5000	4000	4000	3000	2000	2000
Temperature Range/温度范围(std seals)	-20°C to +120°C								
Standard seal material/标准密封圈材料	NBR/丁腈橡胶								



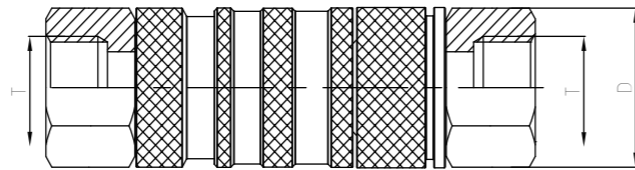
Dimensions shown may be changed without prior notice

Dimensions shown may be changed without prior notice

KJ



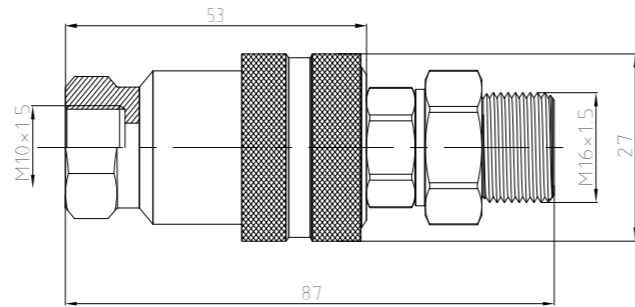
D/口径	Work Pressure(Mpa)	T	Unit Price(\$)
6.3	31.5	M16x1.5	
10	31.5	M18x1.5	
12.5	31.5	M27x1.5	
20	25	M30x1.5	
25	25	M33x2	
31.5	20	M52x2	
40	16	M60x2	
50	16	M68x2	



// Applications&Features 应用与特征

Application and Features: These couplings are adequate for dielectric situation with engine oil, water and air; nominal pressure 32Mpa, medium temperature -20°C to +120°C.
本接头适用于液压系统中以油、水、空气为介质的场合。公称压力为32Mpa 介质温度为-20c 至+120°C。

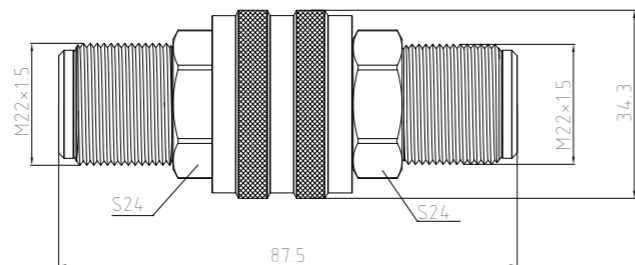
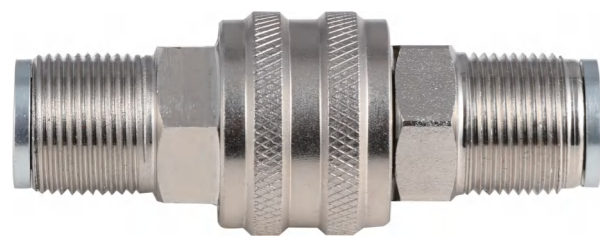
LKJI



// Applications&Features 应用与特征

Applicable for the connectors between equipment of hydraulic pipe in superhigh pressure separate type.
用于超高压分离式液压管路、设备之间的连接件。

DDGW



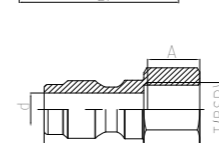
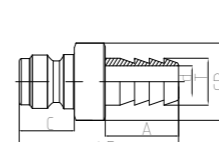
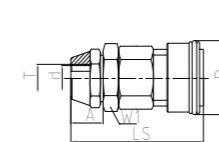
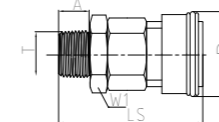
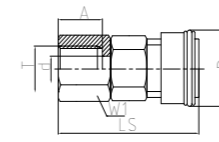
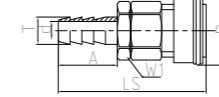
// Applications&Features 应用与特征

Applicable for the connectors between equipment of hydraulic pipe in superhigh pressure separate type.
用于超高压分离式液压管路、设备之间的连接件。

DD-AA

// Applications&Features 应用与特征

- Features: Single hand operation.
- Advantages: single hand operation, lightweight, high flow valve, various of connections.
- Application: pneumatic tools, automotive, compressed air, machinery equipment and compressor.
- Interchangeability: Nitto HI-CUPLA series, CEJN 315 Series, Rectus 13KA series.
- Working Pressure: 1.0MPa
- Working Temperature: -20°C to +120°C.
- 产品描述: 单手操作。
- 技术优势: 单手操作、重量轻、流量高、多种连接备选。
- 产品应用: 气动工具、汽车工业、压缩空气、工程配套、压缩机。
- 互换性: 日东 (NITTO) HI-CUPLA 系列、希恩 (CEJN) 315 系列、利达时 (RECTUS) 13KA 系列。
- 工作压力: 1.0Mpa
- 工作温度: -20°C 到 +120°C



Part No.	LS	D	W1	A	T	d	Unit Price(\$)
AA-01SH	64.5	26.5	19	20	7	4	*
AA-02SH	69.5	26.5	19	25	9	5	*
AA-03SH	69.5	26.5	19	25	11	7	*

Part No.	LS	D	W1	A	T(BSP)	d	Unit Price(\$)
AA-02SF	52.5	26.5	19	19	BSP1/4"19P	10	*
AA-03SF	52.5	26.5	19	19	BSP3/8"19P	10	*
AA-04SF	53.5	26.5	24	24	BSP1/2"14P	10	*

Part No.	LS	D	W1	A	T(PT)	d	Unit Price(\$)
AA-02SM	50	26.5	19	13	PT1/4"19P	7	*
AA-03SM	50	26.5	19	13	PT3/8"19P	10	*
AA-04SM	53.5	26.5	22	16	PT1/2"14P	11.5	*

Part No.	LS	D	W1	A	T	d	Unit Price(\$)
AA-01SP	50.5	26.5	19	14	6*4	2.8	*
AA-02SP	52	26.5	19	15	8*5	4	*
AA-03SP	54	26.5	19	17	10*6.5	5	*
AA-04SP	55.5	26.5	19	19	12*8	6.5	*

Part No.	LP	C	CP	A	T	d	Unit Price(\$)
AA-01PH	47.5	20.5	16	20	7	7.5	*
AA-02PH	52.5	20.5	16	25	9	7.5	*
AA-03PH	52.5	20.5	16	25	11	7.5	*

Part No.	LP	C	W2	A	T(BSP)	d	Unit Price(\$)
AA-02PF	36.5	20.5	17	13	BSP1/4"19P	7.5	*
AA-03PF	36.5	20.5	19	15	BSP3/8"19P	7.5	*
AA-04PF	41.5	20.5	24	16	BSP1/2"14P	7.5	*

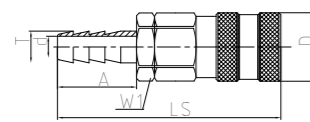
Part No.	LP	C	W2	A	T(PT)	d	Unit Price(\$)
AA-02PM	36.5	20.5	14	9.5	PT1/4"19P	7.5	*
AA-03PM	39.5	20.5	17	13	PT3/8"19P	7.5	*
AA-04PM	42.5	20.5	22	15	PT1/2"14P	7.5	*

Part No.	LP	C	W2	A	T	d	Unit Price(\$)
AA-01PP	40	20.5	14	14	6*4	7.5	*
AA-02PP	41	20.5	14	15	8*5	7.5	*
AA-03PP	43	20.5	17	17	10*6.5	7.5	*
AA-04PP	45.5	20.5	19	19	12*8	7.5	*

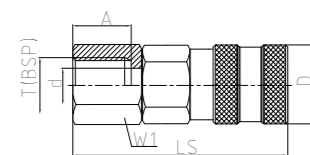
DD-C

// Applications&Features 应用与特征

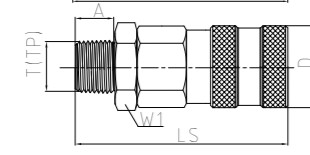
- Features: Single hand operation.
- Advantages: single hand operation, lightweight, high flow valve, various of connections.
- Application: pneumatic tools, automotive, compressed air, machinery equipment and compressor.
- Interchangeability: Nitto HI-CUPLA series, CEJN 315 Series, Rectus 13KA series.
- Working Pressure: 1.0MPa
- Working Temperature: -20°C to +120°C.
- 产品描述: 单手操作。
- 技术优势: 单手操作, 重量轻, 流量高, 多种连接备选。
- 产品应用: 气动工具, 汽车工业, 压缩空气, 工程配套, 压缩机。
- 互换性: 日东 (NITTO) HI-CUPLA 系列、希恩 (CEJN) 315 系列、利达时 (RECTUS) 13KA 系列。
- 工作压力: 1.0Mpa
- 工作温度: -20°C 到 +120°C



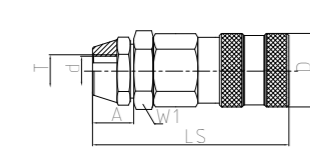
Part No.	LS	D	W1	A	T	d	Unit Price(\$)
C-01SH	62	25.5	19	20	7	4	*
C-02SH	67.5	25.5	19	25	9	5	*
C-03SH	67.5	25.5	19	25	11	7	*



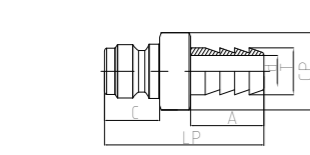
Part No.	LS	D	W1	A	T(BSP)	d	Unit Price(\$)
C-02SF	52.5	25.5	19	13	BSP1/4"19P	9	*
C-03SF	52.5	25.5	19	15	BSP3/8"19P	9	*
C-04SF	52.5	25.5	24	16	BSP1/2"14P	9	*



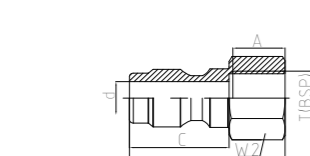
Part No.	LS	D	W1	A	T(PT)	d	Unit Price(\$)
C-02SM	55.5	25.5	19	13	PT1/4"19P	7	*
C-03SM	56	25.5	19	13	PT3/8"19P	10	*
C-04SM	58.5	25.5	22	16	PT1/2"14P	14	*



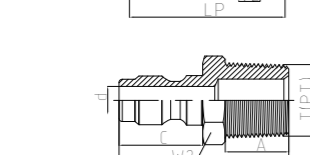
Part No.	LS	D	W1	A	T	d	Unit Price(\$)
C-01SP	56.5	25.5	19	14	6*4	2.8	*
C-02SP	57.5	25.5	19	15	8*5	4	*
C-03SP	59.5	25.5	19	17	10*6.5	5	*
C-04SP	61.5	25.5	19	19	12*8	6.5	*



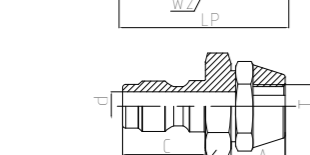
Part No.	LP	C	CP	A	T	d	Unit Price(\$)
C-01PH	47.5	20.5	16	20	7	7.5	*
C-02PH	52.5	20.5	16	25	9	7.5	*
C-03PH	52.5	20.5	16	25	11	7.5	*



Part No.	LP	C	W2	A	T(BSP)	d	Unit Price(\$)
C-02PF	36.5	20.5	17	15	BSP1/4"19P	7.5	*
C-03PF	36.5	20.5	19	15	BSP3/8"19P	7.5	*
C-04PF	41.5	20.5	24	16	BSP1/2"14P	7.5	*



Part No.	LP	C	W2	A	T(PT)	d	Unit Price(\$)
C-02PM	36.5	20.5	14	9.5	PT1/4"19P	7.5	*
C-03PM	39.5	20.5	17	13	PT3/8"19P	7.5	*
C-04PM	42.5	20.5	22	15	PT1/2"14P	7.5	*



Part No.	LP	C	W2	A	T	d	Unit Price(\$)
C-01PP	40	20.5	14	14	6*4	7.5	*
C-02PP	41	20.5	14	15	8*5	7.5	*
C-03PP	43	20.5	17	17	10*6.5	7.5	*
C-04PP	45.5	20.5	19	19	12*8	7.5	*